

STANDS FOR MOTORCYCLE

- Painted tubular steel trestles.
- Extremely rugged and reliable.
- The stands are indicated, as well as for the interventions of maintenance or repair, even for long periods of stationary bikes, in fact avoid the ovality of the tires.

Rear Model Universal



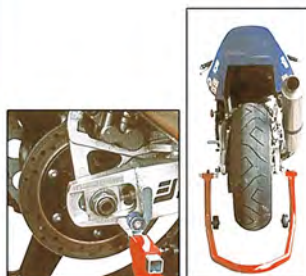
- With adjustable supports according to the opening of the rear swing arm motion.
- For motorcycles equipped with double swing arm with a rectangular section.
- For workshops and motorcycle dealerships.

Code	Desc.
4700003550	2543



Spare Parts	
Code	Description
4700003551	2543/A RUOTA DI RICAMBIO Ø 80mm
4700003552	SUPPORTI IN GOMMA

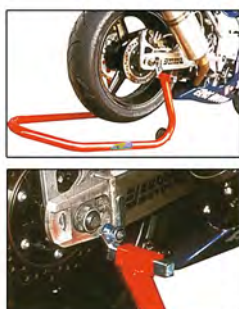
Pair of supports to fork



- Suitable for rear stand.
- For motorcycles equipped with double swing arm and fingers screw.
- For workshops and motorcycle dealerships.

Code	Desc.
4700003610	2549

Couple aluminum adapters



- Aluminum threaded adapters.
- With thread M6-M8-M10.
- Screw on the fork to attach the stand supports with fork.

Code	Desc.	Thread M
4700003620	2550 - M6	6
4700003625	2550 - M8	8
4700003630	2550 - M10	10

Rear stand single arm Ducati.



- With pivot mounted on bearings to protect the hole housing the hub of the rear wheel.
- Particularly suitable for Ducati 916-748.

Code	Desc.
4700003560	2544

Pin adapter for rear stand for use on Triumph Speed Triple T509, Daytona



- Stand cod. 470 00 03560.
- Diameter: 27mm.

Code	Desc.
4700003570	2545

Front stand universal



- End part steel for long life and greater reliability.
- For workshops and motorcycle dealerships.

Code	Desc.
4700003580	2546

Telescopic front stand under fork



- Suitable for all types of motorcycle provided with the hole in the steering head.
- With possibility of height adjustment.
- Equipped with 5 pins to fit various models \varnothing 13-15-18-20-27.
- To be used only in combination with the rear stand.
- For workshops and motorcycle dealerships.

Code	Description
4700003600	2548

Spare Parts	
Code	Description
4700003601	Kit perni



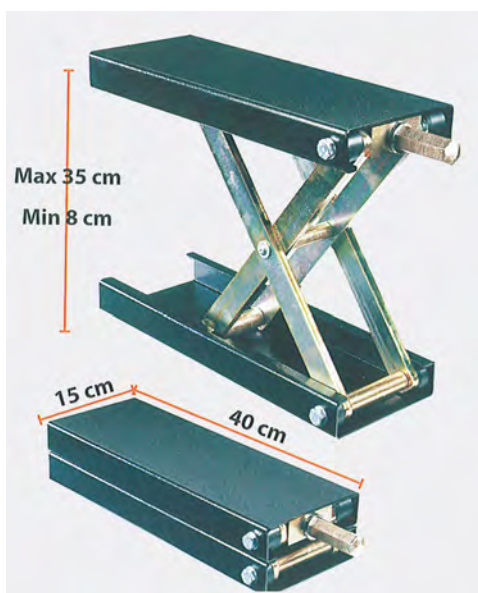
PARTICOLARE
PERNI

Center easel for dirt bikes



Code	Desc.
4700003590	2547

Centre stand for custom bikes

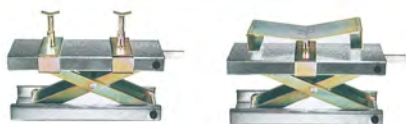
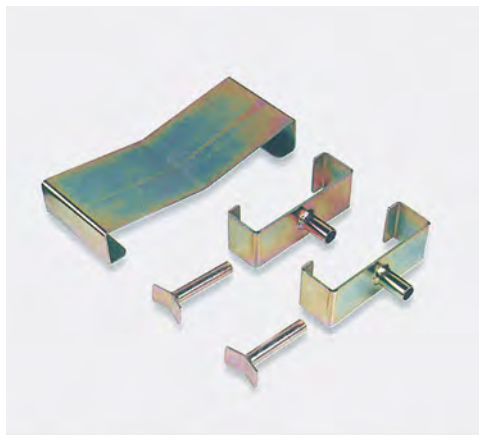


- Centre stand with mechanical lifting screw.
- Product Factory motorcycles and scooters.
- Do not use air guns to lift.

Code	Desc.
4700005700	2599

Technical Features	
Portata kg	400
Min/max height cm	8/35
Dimensions cm.	15x40

Accessories Centre stand for custom bikes



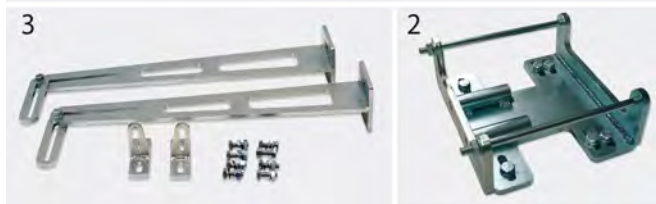
Code	Desc.
4700005705	2599K

Universal support for motorcycles



- Universal support for motorcycles, scooters and maxi scooters.
- Complete rotation to 360°.
- With universal plate.
- Equipped with oil collection tank.
- With 4 swivel casters, two with brake.
- It allows you to work safely with the engine attached to the supports.
- Suitable for motorcycle workshop.

Code	Description	Photo
4700005915	2625-supporto universale per moto	1
4700005910	2620-adattatore moto Ducati	2
4700005912	2622-adattatore motori , scooter e maxiscooter	3



Bridge for bike Meccanocar



- Lifting system for motorcycles.
- Product for workshops and dealers motorcycles and scooters.
- Tool particularly robust, stable and professional.
- The bridge motion Meccanocar with a height of 130 cm, superior to traditional lifters, and 11 positions of the mechanical safety, which makes it particularly suitable for working comfortably in all positions.
- The capacity of 500 kg makes it suitable to lift all two-wheeled vehicles on the market, the steel support structure allows considerable established 'during work.
- The system of vertical scissor lift gives established 'safety and reducing clutter than lifters who lift even obliquely.
- The plan of lifting large (210x99 cm) allows to work in a practical way, also, the curved side flaps allow a valid support for tools and small parts without risk of falling.
- Has a drawer concealed in order to work on the wheel without the lifting table bother the operator.
- Lift system quickly and safely through the pump hydropneumatic external foot or in the version with the electro-hydraulic pump with manual control provided.
- Supplied with ramp and tube stops motorcycles, grip chock supplied separately.
- In the electro-hydraulic version the supply voltage and of 220V.

Code	Description
4700005400	2596-Sollevatore moto con pompa idropneumatica
4700005500	2597-Sollevatore moto con pompa elettroidraulica 220V
4700005601	259N-Morsa meccanica apertura 70-215 mm

Technical Features	
Air consumption	300 Lt/min
Weight	250 kg
Ingombro totale	220x92 cm
Rising ramp dimensions	62x44,5cm
Ingombro totale piano di sollevamento	210x92cm
Drawer dimensions	50x36cm
Side wings dimensions	200x8,5cm
Lifting table dimensions	210x75cm
Min. height from the ground	19 cm
Portata	500 kg
max height. from the ground	130 cm