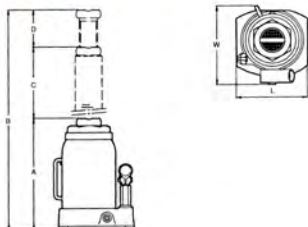


Hydraulic bottle jack

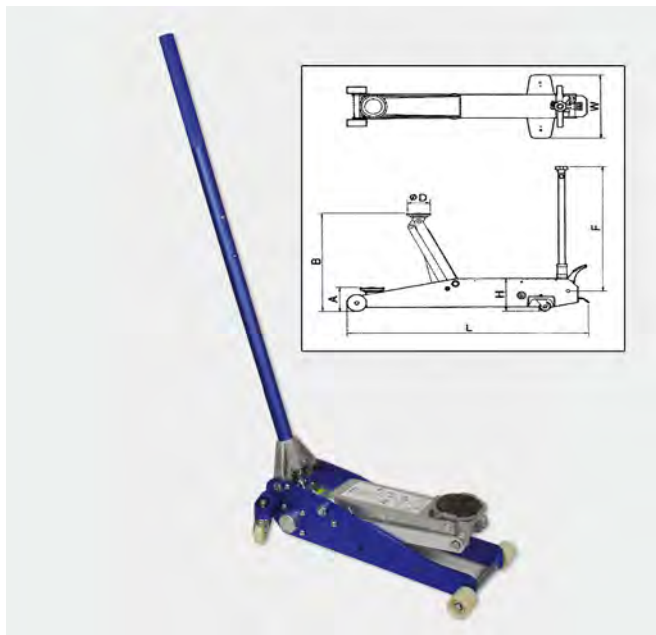


- Hydraulic bottle jack for industrial use. suitable for cars and V.I. workshops, drivers, service stations, etc.
- Hydraulic system with by-pass valve against the overextension of the piston, for a total safety of the operator.
- The very compact dimensions allow easy transport and opportunity to store it in small spaces.
- Possibility to provide the model 20 tons in low version.
- **** Model without the adjustment screw**



| Code | Desc. | Payload (TON) | A mm | B mm | C mm | D | LxW mm | Weight Kg. |
|------------|----------|---------------|------|------|------|-------|---------|------------|
| 4700007020 | 320/2 | 2 | 158 | 308 | 90 | 60 mm | 92x90 | 2,2 |
| 4700007025 | 320/4 | 4 | 180 | 350 | 110 | 60 mm | 110x101 | 3,5 |
| 4700007030 | 320/6 | 6 | 197 | 382 | 125 | 60 mm | 115x112 | 4,3 |
| 4700007035 | 320/8 | 8 | 205 | 390 | 125 | 60 mm | 121x120 | 6,3 |
| 4700007040 | 320/12 | 12 | 214 | 399 | 125 | 60 mm | 131x130 | 8 |
| 4700007045 | 320/16 | 16 | 225 | 425 | 140 | 60 mm | 141x138 | 9,45 |
| 4700007050 | 320/20 | 20 | 244 | 449 | 145 | 60 mm | 159x150 | 10,75 |
| 4700007055 | 320/20S* | 20 | 190 | 340 | 90 | 60 mm | 159x150 | 8,7 |
| 4700007060 | 320/30** | 30 | 285 | 465 | 180 | - | 207x174 | 15,8 |

Lifter trolley aluminum 1,35 ton



- Lifter trolley compact and lightweight, with a structure entirely made of aluminum alloy and professional hydraulic pump capacity of 1.35 tons lifting.
- Useful in machine shops, body shops, roadside assistance, automotive team.
- Maximum flexibility of use thanks to the compactness and light weight of only 10 kilograms which makes it easily transportable and storable in any space.
- The minimum height of 8 cm from the ground allows to enter under the cars also very lowered, the handle is easily removable and divisible in two pieces, which limits the overall dimensions further.
- With nylon wheels very resistant and very sliding.
- With safety valve that protects the hydraulic unit from overloads and increases its safety of use.

| Code | Desc. | Payload (TON) | A H Min (mm) | B H Max (mm) | F. mm | Ø D mm | LxWxH (mm) | Weight Kg. |
|------------|-------|---------------|--------------|--------------|-------|--------|-------------|------------|
| 4700006050 | 2629 | 1,35 | 80 | 380 | 950 | 100 | 500x240x130 | 10 |

| Spare Parts | | |
|-------------------------|------------|-------------|
| Article | Code | Description |
| COPPIA RULLI ANTERIORI | 4700006850 | 2741/A |
| COPPIA RUOTE POSTERIORI | 4700006860 | 2741/P |
| PIATTELLO IN GOMMA | 4700006870 | 2741/T |

Lift trolley lowered short range capacity 2 Ton.

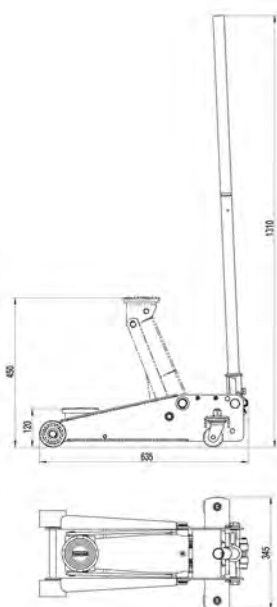


- Lowered Lift for use in heavy industry workshop.
- With its 70 mm dimensions without the plate it can also work on sports cars.
- With quick lift pedal.
- With nylon wheels are also suitable on delicate surfaces of exhibition halls.
- With compact handle and a safety system that prevents accidental opening of the descent valve.
- To open the valve must in fact slightly lift the handle and rotate it.
- **Hydraulic units guaranteed 3 years !!**

| Code | Desc. | Payload (TON) |
|------------|--------|--------------------|
| 4700002320 | 2320F | 2 |
| 4700002322 | 2322/R | Piattello in gomma |

| Technical Features | |
|--------------------------------|-----------|
| Code | 470000232 |
| Minimum height (mm) with plate | 89 |
| Lunghezza x larghezza mm | 720x370 |
| Handle height mm | 1060 |
| Weight kg | 37 |
| H max (mm) | 500 |
| H min (mm) | 70 |

Hoist trolley 2 ton

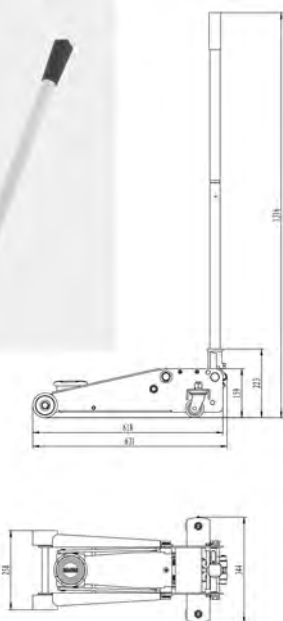


- With new double piston system for a fast approach to the load
- New structure which allows a weight saving of about 10 kg over the previous model
- With nylon wheels, ideal on all surfaces.
- With rubber pad inside a metal support in wear proof
- **Guaranteed hydraulic unit 3 years**

| Code | Desc. | Payload (TON) |
|------------|-------|---------------|
| 4700008340 | 4202 | 2 |

| Tecnical Features | |
|-------------------|-----------|
| Weight | 29,5 Kg |
| Total height (mm) | 1300mm |
| Dimensions | 630x340mm |
| Maximum height | 445mm |
| Minimum height | 115mm |

2.7 ton hoist trolley



- With new double piston system for a fast approach to the load
- New structure which allows a weight saving of about 9 kg over the previous model
- Ideal for cars and vans
- With PU wheels, perfect on all surfaces.
- With rubber pad inside a metal support in wear proof
- **Hydraulic unit guaranteed 3 years**

| Code | Desc. | Payload (TON) |
|------------|-------|---------------|
| 4700008350 | 4203 | 2,7 |

| Tecnical Features | |
|-------------------|------------|
| Minimum height | 120 mm |
| Weight | 32 kg |
| Total height (mm) | 1315 mm |
| Dimensions | 631x344 mm |
| Maximum height | 450 mm |

Hydraulic jack 5 Ton.



- Hydraulic jack indicated for the lifting of machine tools or Forklift thanks to the particularly low foot (25mm only).

| Code | Desc. | Payload (TON) | Min. H Foot mm | Max H Foot mm | Min. H head mm | Max H Head mm | Stroke Hydr. (mm) | Weight Kg. |
|------------|-------|------------------|-------------------|------------------|-------------------|------------------|-------------------|---------------|
| 4700007205 | 465/5 | 5 | 25 | 230 | 368 | 573 | 205 | 26,0 |

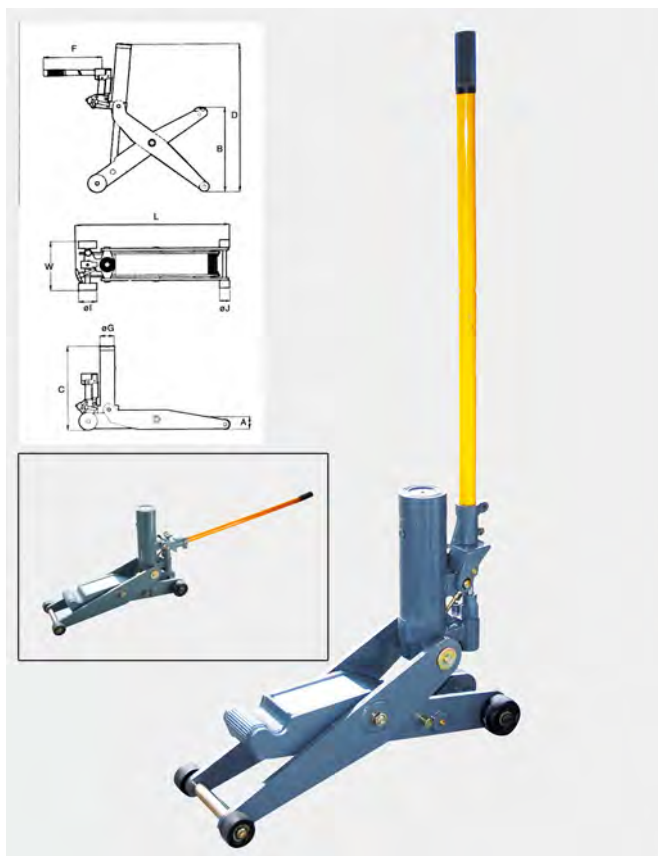
Binda idraulica 8 Ton.



- Per il sollevamento sicuro di carichi pesanti
- Robusta struttura in acciaio saldato
- Velocità di abbassamento regolabile attraverso valvola di scarico
- Struttura piccola e compatta
- **Costruito secondo direttive CE**

| Code | Desc. | Carico max sollevamento | Height min. (mm) | Stroke mm | Weight Kg. |
|------------|---------|----------------------------|---------------------|--------------|---------------|
| 4700007208 | 468-MH8 | 8 Ton. | 20 | 140 | 28 |

Lift for lift trucks and tractors



- Lifter combined with multiple properties.
- The extremely lowered front part is ideal for lifting of forklift trucks or machinery with a minimum ground clearance of 65mm and a max of 4 tons weight.
- The raised rear part allows the lifting of tractors and machinery with a minimum ground clearance of 415mm and a maximum weight of 5 tons.
- The piston walls and the lucid cylinder for longer life and less wear of the seals.
- Safety valve against overloading.
- Adjustable front plate (concave or convex) for optimal grip during the lifting.

| Code | Desc. | Portata max ton |
|------------|----------|---------------------------------|
| 4700008080 | 813-T4/5 | 4 per carrelli - 5 per trattori |

| Technical Features | |
|--------------------|-----|
| W (mm) | 240 |
| L (mm) | 790 |
| ØI (mm) | 100 |
| C (mm) | 415 |
| D (mm) | 765 |
| F (mm) | 750 |
| ØJ (mm) | 50 |
| Peso Kg | 45 |
| Portata ant. | 4 |
| Portata post. | 5 |
| A (mm) | 65 |
| B (mm) | 420 |
| ØG (mm) | 75 |

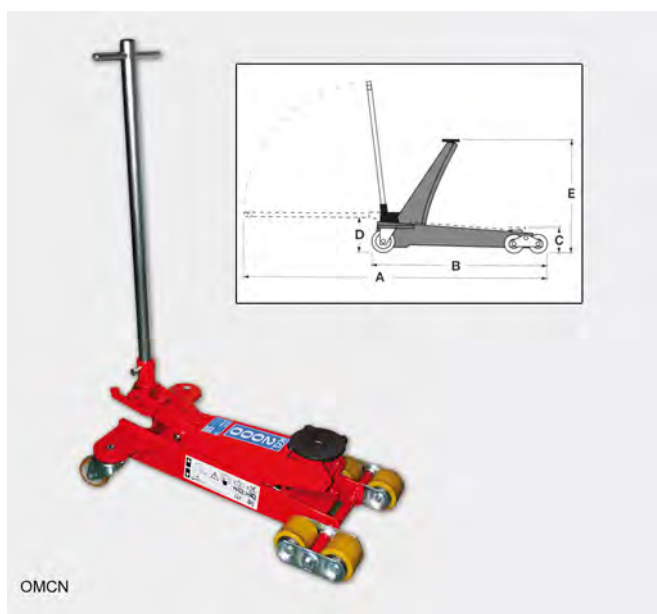
Model short range



- Short range hydraulic lifter.
- Product suitable for workshops, tire, car wrecking, service stations and body shops.
- Remarkable maximum lift, equal to 525 mm, with static maintenance of the vehicle.
- Handle provided with descent system at dual safety system.
- Cast iron wheels, suitable for exteriors and interiors, and iron plate for added strength of the product.
- Article suitable for those wishing good payload and reduced size.
- Equipped with automatic safety valve that prevents loads superior to the nominal payload.
- Maximum payload: 1,5 Ton.
- The wheels in cast iron do not allow the sliding of grilling surfaces.

| Code | Description | Payload (TON) | Max. width mm | Weight Kg. | A mm | B mm | C mm | D mm | E mm |
|------------|----------------------------|------------------|------------------|---------------|---------|---------|---------|---------|------|
| 4700006100 | 2630 - T 1,5 - sollevatore | 1,5 | 365 | 37 | 1560 | 700 | 130 | 200 | 525 |

Model short range dual wheels polyurethane 2 TON



- Model short range dual wheels polyurethane 2 TON
- Product suitable for body shops, tire shops, car wrecking, and service stations.
- Remarkable maximum lift of 520 mm.
- Double front polyurethane wheels particularly suitable for grating bodywork.
- Iron plate.
- Provide of automatic safety valve that prevents loads superior to the nominal payload.
- Max payload: 2 TON.

| Code | Description | Payload (TON) | Max. width mm | Weight Kg. | A mm | B mm | C mm | D mm | E mm |
|------------|-----------------------------|---------------|---------------|------------|------|------|------|------|------|
| 4700006200 | 2631 PU - T 2 - sollevatore | 2 | 530 | 45 | 1520 | 740 | 140 | 180 | 520 |

| Spare Parts | | |
|-------------------------|------------|---------|
| Article | Code | Desc. |
| Piattello in metallo | 4700006202 | 2631/P |
| Manico completo | 4700006204 | 2631/M |
| Coppia ruote posteriori | 4700006220 | 2631/CP |
| Coppia ruote anteriori | 4700006230 | 2631/A |

Model long range 3 TON



- Long series hydraulic lifter.
- Product suitable for workshops, tire, car wrecking, service stations and body shops.
- Remarkable maximum lift, equal to 520 mm, with static maintenance of the vehicle.
- Handle provided with descent system at dual safety system.
- Cast iron wheels, suitable for exteriors and interiors, iron plate for added strength. Product features for quick lift pedal.
- Equipped with automatic safety valve that prevents loads superior to the nominal capacity.
- Max Payload: 3 TON.
- The wheels in cast iron do not allow the sliding of grilling surfaces.

| Code | Description | Payload (TON) | Max. width mm | Weight Kg. | A mm | B mm | C mm | D mm | E mm |
|------------|-------------------------|---------------|---------------|------------|------|------|------|------|------|
| 4700006300 | 2632 - T3 - sollevatore | 3 | 335 | 59 | 2100 | 1265 | 140 | 185 | 520 |

| Spare Parts | |
|-------------|--------------------------|
| Code | Description |
| 4700006310 | 2632M-Manico di ricambio |

Bottle oleopneumatic lifter



- Large payload lifter with pneumatic operation with compressed air from 6 to 12 bar, 300lt / minute (also from truck air intake).
- With the height adjustment screw.
- With two powerful springs that ensure the piston return.
- Particularly suitable for maintenance work on industrial vehicles and earth moving machines.

| Code | Desc. | Portata max ton |
|------------|------------|-----------------|
| 4700003306 | 432020-T20 | 20 |

| Tecnical Features | |
|-----------------------|------------|
| Ingombro base | 220X130 |
| Screw stroke mm | 80 |
| Weight kg | 16,6 |
| Hydraulic stroke (mm) | 145 |
| H max (mm) | 470 |
| H_min (mm) | 245 |
| Code | 4700003306 |
| Portata Ton. | 20 |

Oleopneumatic lift extra short range



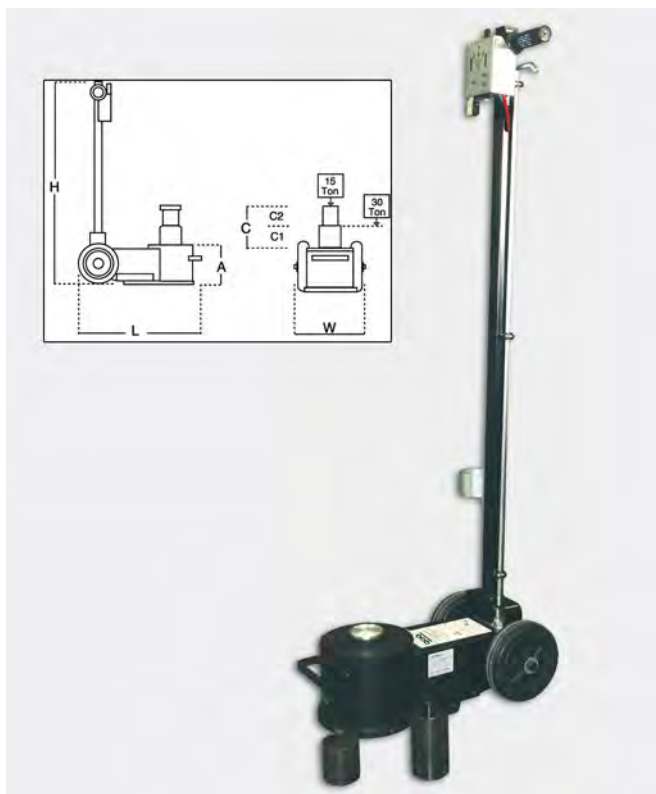
- Minimum encumbrance lift.
- Oleopneumatic lift mounted on the frame that facilitates its use and stowed vertically.
- Dual operation, air (pressure between 8 and 12 bar) and manual.
- Featuring plug-air japan range.
- With extension screw on the piston.
- Particularly suitable for mobile workshops due to low weight and practicality of use.

| Code | Desc. | Payload (TON) |
|------------|---------|---------------|
| 4700008060 | 811-T20 | 20 |

| Tecnical Features | |
|-------------------|------------|
| Peso Kg | 26 |
| Larghezza mm | 150 |
| Lunghezza (mm) | 420 |
| H max (mm) | 480 |
| H_min (mm) | 255 |
| Code | 4700008060 |



Pneumatic elevators



- Lifters with hardened and chrome plated piston for longer life and better protection of the seals.
- Hardened head for a secure and solid contact surface.
- The overload control system.
- Bypass system against the piston overextension.
- Pneumatic operation with compressed air from 6 to 12 bar, 300l / min.
- lockable handle tilted, vertically and horizontally.
- The model of 20 Ton has hardened expansion screw to adjust easily the height.
- Air attack Japan series.
- Particularly indicated in the V.I. workshop.

| Code | Desc. | Portata max ton | Capacity (tonn) | A mm | B mm | C mm | C1 (mm) | C2 (mm) | L mm | W (mm) | H mm | Press. operating | Consumption air l/m | Weight Kg. |
|------------|-------------|--------------------|--------------------|---------|---------|---------|------------|------------|---------|-----------|---------|---------------------|------------------------|---------------|
| 4700002708 | 2513-T15/30 | 15-30 | 15/30 | 170 | 340 | 190 | 70 | 120 | 525 | 300 | 1.400 | 6~12 | 300 | 41 |

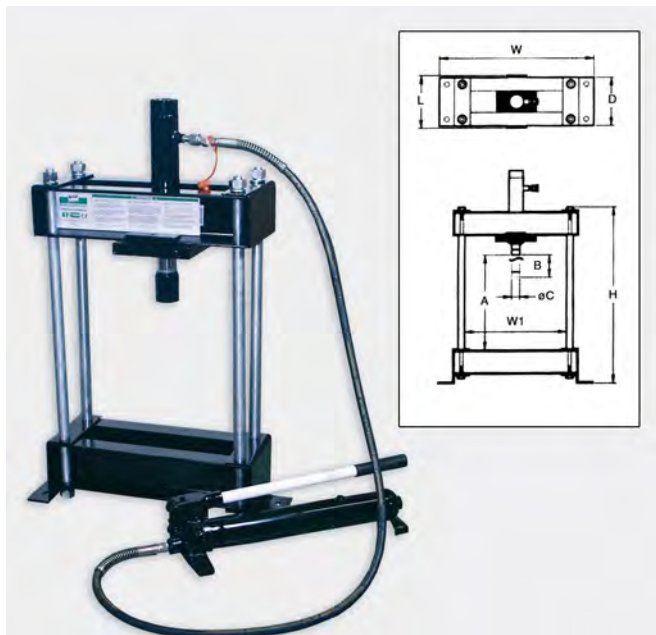
Oleopneumatic lift three extracts



- Professional lifter suitable for all uses heavy, especially repair and body shops of commercial vehicles, private bus companies, dealers industrial vehicles, earthmoving.
- The three modular extensions (10, 70 and 120 mm) are designed for precise approach to the base of the vehicle and a better exploitation of the hydraulic travel.
- The dual descent valve allows to have a constant speed under load and no-load increase.
- It equipped with a safety device that ensures the holding of the load even in case of accidental breakage of the air or oil pipes.
- Possibility to lock the handle in 3 different angles (vertical, inclined and horizontal), in order to operate in a practical and safe.
- To the maximum extent, the lift reaches a height of 540 mm
- Approved according to EN 1494.

| Code | Desc. | H min (mm) | Stroke Hydr. (mm) | Length mm | H max (mm) | Weight Kg. | P (Bar) |
|------------|------------------|------------|-------------------|--------------|------------|---------------|---------|
| 4700002713 | 2513 - T18/30/60 | 150 | 66 + 56 + 63 | 730 | 1400 | 46 | 8 - 12 |

Bench press 12 ton



- Equipped with safety valve against overloading and piston overextension.
- Adjustable thrust unit position transversely to work in all relevant points.
- The power from 0 to 12 tons makes this machine a valid working tool and a valid support for all workshops.

| Code | Desc. | Portata max ton | Capacity (tonn) | A mm | B mm | Ø C (mm) | D mm | H mm | L mm | W (mm) | W1 (mm) | Weight Kg. |
|------------|----------|--------------------|--------------------|---------|---------|-------------|---------|---------|---------|-----------|------------|---------------|
| 4700002900 | 2517-T12 | 12 | 12 | 360 | 154 | 25 | 175 | 715 | 175 | 570 | 375 | 50 |

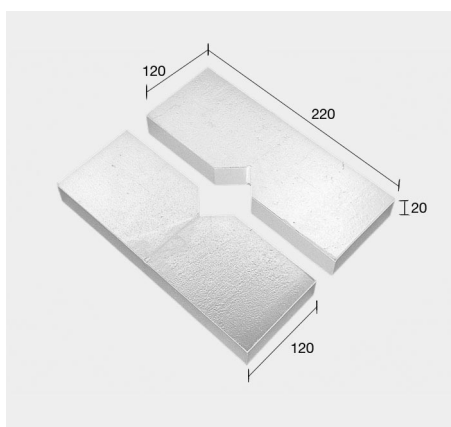
Buffer and washers kit for bearings extraction



- Practical kit consists of a steel buffer and three washers with different diameter
- These tools allow the extraction of the hub bearings in combination with the bench press or similar and with the spacers.
- The buffer has a pusher function while the washers, depending on the diameter of the bearing, facilitate the task of increasing the contact surface.

| Code | Desc. |
|------------|-------|
| 4770002390 | 239 |

Plates of supports to fork



- Pair plates for support on the work surface.
- Allow, thanks to the central hollow, the retaining pieces with particular shapes or with pins.
- Essential for all owners of presses.

| Code | Desc. | Dimensions |
|------------|-------|-------------|
| 4700002905 | 2517P | 220x120 H20 |

Lifters underbridge and pit



| Code | Desc. | Payload (TON) | H min (mm) | H max (mm) | Weight |
|------------|------------|------------------|------------|------------|--------|
| 4700002880 | 2516-T 0,3 | 0,3 | 1150 | 1960 | 30 kg |
| 4700002890 | 2516-T 0,5 | 0,5 | 1150 | 1960 | 32 kg |

| Spare Parts | | |
|-------------|-------------------------------|---------------|
| Code | Description | Ton. Capacity |
| 4700002851 | Ruota con perno per 2516-T,03 | 0,3 |
| 4700002871 | Ruota con perno per 2516-T,05 | 0,5 |

Lifters underbridge and pit



- Hydraulic jacks for pits and underbridge.
- Product suitable for cars and V.I. workshops, wrecking, service stations and body shops.
- Highly professional articles provided with safety valve to overcharging.
- Max. payload 250, 600 and 1,000 kg for a wide range of applications.
- The overall dimensions of the base are contained for the convenience of the operator.
- The 250-kg model has a manual lowering system via knob placed on the lifter body. The other models are regulated by a hand lever.

| Code | Desc. | Payload kg | Height min. (mm) | Piston stroke (mm) | Width base (mm) | Lunghezza base (mm) |
|------------|---------------|---------------|---------------------|-----------------------|--------------------|------------------------|
| 4700006400 | 2633 - T.0,25 | 250 | 1.240 | 850 | 410 | 585 |
| 4700006500 | 2634 - T.0,6 | 600 | 1.180 | 780 | 520 | 520 |
| 4700006600 | 2635 - T.1 | 1.000 | 1.190 | 800 | 530 | 530 |
| 4700006602 | 2635 - T.2,5 | 2.500 | 1.350 | 870 | 550 | 550 |

| Spare Parts | |
|-------------|------------------------------------|
| Code | Description |
| 4700006401 | 2633R Ruota di ricambio per 2633 |
| 4700006402 | 2633C Culla di ricambio per 2633 |
| 4700006605 | 2635C Culla di ricambio per 2635 |
| 4700006610 | 2635R Ruota ricambio per 2634/2635 |

Columns rack



- Columns in printed and welded steel.
- With a safety device that prevents the accidental extraction of the support column.
- The columns are a fixed tool for the sustenance of the load and not performing any movement are not subject to CE certification - Safety coefficient of 2/1.
- For all repair and auto body shops.

| Code | Desc. | Portata max ton | Capacity (tonn) | A mm | B mm | C mm | D mm | I mm. | J (mm) | L mm | W (mm) | Peso cad. (Kg) |
|------------|---------|--------------------|--------------------|---------|---------|---------|---------|----------|-----------|---------|-----------|-------------------|
| 4700002910 | 2518-T3 | 3 | 3 | 292 | 432 | 140 | 16 | 27 | 94 | 195 | 170 | 3 |
| 4700002920 | 2518-T6 | 6 | 6 | 390 | 618 | 228 | 18 | 32 | 110 | 270 | 230 | 5.8 |

Columns plug



- Support columns with rectangular foot welded to the leg for a perfect stability on the ground.
- Locking system with through pin and safety chain.
- The robust design allows its use to support heavy loads up to 20 tons.
- For all garages and body shops V.I.
- The columns are a fixed tool for load support and not performing any movement are not subject to CE certification - safety factor 2/1.

| Code | Desc. | Portata max ton | Capacity (tonn) | A mm | B mm | C mm | D mm | I mm. | J (mm) | L mm | N.W. (mm) | Peso cad. (Kg) |
|------------|----------|--------------------|--------------------|---------|---------|---------|---------|----------|-----------|---------|--------------|-------------------|
| 4700002950 | 2519-T12 | 12 | 12 | 485 | 750 | 265 | 53.0 | 95 | 130 | 315 | 23.5 | 11.8 |
| 4700002970 | 2519-T20 | 20 | 20 | 550 | 900 | 350 | 70.0 | 95 | 130 | 450 | 36.0 | 18 |

Folding hydraulic crane



- Particularly suitable equipment for workshops that have space problems.
- Once used, the crane can be closed and placed vertically extremely safe thanks to the supports positioned at the base that ensure stability.
- With pumping high initial speed for a fast approach to the load.
- The speed decreases according to the load.
- Pumping unit is rotatable about 180 ° which allows the use also within an engine compartment by a single operator.
- The chrome-plated piston stem for greater durability.
- hydraulic unit security against accidental descent of the load system.
- With 4 positions of the arm that allows payload from 1000 to 500kg fully extended.
- Thanks to the front wheels nylon of large diameter, the crane can be moved outside.
- Equipped pre-assembled.
- Particularly suitable for car and motorcycle workshops.

| Code | Payload (TON) | Description | Payload kg |
|------------|---------------|------------------|------------|
| 4700008050 | 1 | 810-T 1,0 | - |
| 4700003670 | - | 2555 bil. carico | 680 max |

| Spare Parts | |
|-------------|---------------------|
| Code | Description |
| 4700008100 | 810RP Rear wheel |
| 4700008105 | 810RA Front wheel |
| 4700008107 | 810RC Central wheel |

| Technical Features | |
|--------------------|------------|
| Code | 4700008050 |
| H min (mm) | 300 |
| H max (mm) | 1940 |
| Larghezza mm | 460 |
| Lunghezza (mm) | 900 |
| Peso Kg | 71 |

Tool for the sustenance of the engine.



- Universal tool for the sustenance of the engine.
- Suitable for car and V.I. workshops.
- Made of epoxy powder coated steel.
- Thanks to the many adjustments allows you to keep suspended the engine block without removing it completely and removing the organs attached to it quickly and accurately.
- Tilting support system to facilitate the fixing tool on the vehicle body.
- It equipped with two brackets with non-slip rubber feet to prevent damage to the bodywork.
- Complete with two threaded anchors and two chains to engage the engine and keep it in tension during the lifting of the vehicle.

| Code | Description | Payload kg | Min. width mm | Max. width mm | Stroke mm | Weight Kg. |
|------------|--------------------------------|------------|---------------|---------------|-----------|------------|
| 4700003680 | 2556 - Attrezzo solleva motore | 500 | 950 | 1460 | 200 | 13 |

Transpallet



- Professional transpallet indispensable for the handling of materials.
- Indicated for workshops, hauliers and warehouses in general, service stations, couriers, etc..
- Dual front nylon rollers for a great smoothness and quietness even in the most delicate flooring.
- Under the forks (picture 1) there are two nylon rollers which facilitate the entry and the exit from the pallet.
- It equipped with grease fittings for easy maintenance.
- The powder painting provides a durable finish and quality.
- Complies with the Machinery Directive 2006/42 / EEC.

| Code | Description |
|------------|---------------------|
| 4700003390 | 2538 |
| 4700003391 | 2538 RA-Roller Ant. |
| 4700003392 | 2538 RP-Ruota Post. |

| Tecnical Features | |
|------------------------|----------|
| Portata kg | 2.000 kg |
| Forks min. height (mm) | 85 |
| Larghezza forche (mm) | 550 |
| Lunghezza forche (mm) | 1.100 |
| Larghezza forca (mm) | 160 |
| Weight kg | 70 |
| Total height (mm) | 1.230 |
| Forks max. height (mm) | 195 |

Mod. Car



- Universal carriage to moves cars.
- Particularly suitable for garages and body shops to maneuver car also crashed, as long as the wheels are intact.
- The solid rubber wheels with ball bearings enable you to use carriage in showrooms without any damage to the floor.
- Wide field of application, the trolley has indeed the ability to lift car with tires from 13" up to many profiles 16".
- With self-lubricating ball bearings.

| Code | Description |
|------------|--------------------|
| 3920000300 | 108 - Modello auto |

| Tecnical Features | |
|---------------------------|------------------------------------|
| Rulli | Pvc antiurto ed autolubrificante |
| Ruote | 4x100mm |
| Tire size | 13" e molti profili da 16" |
| Portata | 565 kg(2260kg con 4 unità) |
| Meccanismo | Doppia camma,crizzo bi-direzionale |
| Larghezza max. pneumatico | Fino a 23 cm |

Mod. car and off-road vehicle



- Carriage for maneuvering cars and off-road vehicles, for tires with a maximum width of 32 cm.
- Using 4 units it's possible to lift 2820 kg well.

| Code | Description |
|------------|--------------------------------------|
| 3920000310 | 109 L-SX Modello auto e fuoristrada |
| 3920000311 | 109 R- DX Modello auto e fuoristrada |

| Tecnical Features | |
|---------------------------|-------------------------------------|
| Rulli | Acciaio nichelato |
| Portata | 705 kg (2820 kg con 4 unità) |
| Meccanismo | Doppia camma, cricco bi-direzionale |
| Ruote | 2x100mm+2x125mm |
| Tire size | Da 13" a 22" |
| Larghezza max. pneumatico | Fino a 32cm |

Side lift - lift Meccanocar



- Lifter electric Side lift particularly suitable for car bodies.
- It allows to raise obliquely cars and minivan of 2500 kg of total weight.
- The lift side - lift Meccanocar is practical to use, allows you to raise the machine easily and safely: it takes an operator and a few seconds.
- Possibility to work on the lower parts of the car in a handy position preventing backache and reducing fatigue.
- Unlike normal lifters that act directly on the frame, side-lift does not go to affect the plastic sills.
- The lifting via wheel allows the perfect alignment of the frame, and prevents the torsion of the same.
- Possibility to clean the bottom of car and apply the underbody protection in a simple, convenient way and without dirtying the operator.
- The oblique position of the car creates excellent lighting conditions to see imperfections on the body.
- Minimum dimensions and easy transportability make side-lift a practical product that solves space problems.
- possibility of front and rear lift or, with an accessory, also from the sill profile height of the rear-view mirror.
- mechanical lifting system with worm screw to ensure maximum safety of the product.
- Comes with fork for wheel and base for sill profile.(470 00 05050-2589/B) to use side - lift like a conventional column lift and extendable up to 70 cm (470 00 05100- 2589 / C) to operate in maximum security.

| Code | Description | Photo |
|------------|-----------------------------------|-------|
| 4700005000 | 2589 - Sollevatore Side Lift | 1 |
| 4700005050 | 2589/B - Accessori per sottoporta | 2 |
| 4700005100 | 2589/C - Colonnina di sicurezza | 3 |

| Spare Parts | |
|-------------|-----------------------------------|
| Code | Description |
| 4700005030 | 2589/RP Ruota posteriore |
| 4700005040 | 2589/RA Ruota anteriore (2 pezzi) |
| 4700005005 | 2589/I Invertitore |
| 4700005010 | 2589/M Motore side lift |

| Tecnical Features | |
|----------------------------|-----------------------|
| Larghezza interna forcella | 430 (mm) |
| Supply voltage (v) | 230 |
| Protezione di contatto | Messa a terra totale |
| Protezione elettrica | IP 40 |
| Max. capacity of wheel | 18" |
| Tempo di elevazione | 35 sec. |
| Elevation max. height | 1 (mt) |
| Misure max (lxhxp) | 680 X 1340 x 950 (mm) |
| Total weight | 75 (Kg) |

BUFFERS FOR AUTO LIFT

CARATTERISTICHE:

- Universal Meccanocar buffers: they fit perfectly with most major brands of auto fit available on the market.
- Constructed with ultra-resistant rubber.

Buffer 1



- \varnothing internal: 106 mm
- \varnothing external: 148 mm.
- \varnothing central hole: 12mm.
- Height: 31 mm.
- For auto lift OMCN 199

| Code | Desc. |
|------------|-------|
| 4430051900 | 1062 |

Buffer 2



- \varnothing external: 148 mm.
- \varnothing central hole: 12 mm.
- \varnothing internal: 116 mm.
- Height: 27 mm.
- For auto lift Ravaglioli

| Code | Desc. |
|------------|-------|
| 4430051910 | 1063 |

Buffer 3



- \varnothing external: 155 mm.
- \varnothing internal: 136 mm.
- Height: 31 mm.
- For auto lift Ravaglioli

| Code | Desc. |
|------------|-------|
| 4430051920 | 1064 |

Buffer 4



- \varnothing external: 131 mm.
- \varnothing internal: 110 mm.
- Height: 32 mm.
- For auto lift Ravaglioli

| Code | Desc. |
|------------|-------|
| 4430051930 | 1065 |

Buffer 5



- \varnothing external: 131 mm.
- \varnothing internal: 108 mm.
- Height: 31 mm.
- For auto-lift OMCN/Ravaglioli

| Code | Desc. |
|------------|-------|
| 4430051940 | 1066 |

Buffer 6



- \varnothing external: 152 mm.
- \varnothing central hole: 12 mm.
- \varnothing internal: 132 mm.
- Height: 32 mm.
- For auto lift OMCN

| Code | Desc. |
|------------|-------|
| 4430051950 | 1067 |

Rubber tile



- Length: 180 mm
- Width: 140 mm
- Height: 40 mm
- Possibility to join two rubber tiles through 4 bolts in such a way that to double the height of the tile.
- Minuteria not provided.
- Bolt recommended 10x45 galvanized white (ns. Art. 12600).
- Minuteria to be used::
 - N°4 - 1260004441 - 10x45x1,5
 - N°4 - 2080000700 - 10x15
 - N°8 - 2450000600 - 10

| Code | Desc. |
|------------|-------|
| 4430051960 | 1068 |