

Tapping screws with cylindrical head cross

DIAMETRO	2,2	2,9	3,5-3,9-4,2-4,8	5,5-6,3	**** MISURE: VEDI LISTINO
IMPRONTA PH	1	1	2	3	

- UNI 6954.
- DIN 7981.

Code	Material
15800*****	GALVANIZED STEEL WHITE
16900*****	GALVANIZED STEEL BLACK
15700*****	STAINLESS STEEL A2-AISI 304
157A4*****	STAINLESS STEEL A4-AISI 316

Tapping screws countersunk head cross

DIAMETER	2,2	2,9	3,5-3,9-4,2-4,8	5,5-6,3	**** sizes: see price list
IMPRINT PH	1	1	2	3	

- UNI 6955.
- DIN 7982.

Code	Material
16100*****	STAINLESS STEEL A2-AISI 304
161A4*****	STAINLESS STEEL A4-AISI 316
16400*****	GALVANIZED STEEL WHITE
164ZN*****	GALVANIZED STEEL BLACK

Tapping screws head half round

DIAMETER	4,8	5,5		**** sizes: see price list
HEAD DIAMETER	11	13		
IMPRINT PH	2	3		

- UNI 6947.
- DIN 7981/C.

Code	Material
16700*****	GALVANIZED STEEL WHITE
167A2*****	STAINLESS STEEL A2 + 304
167TR*****	GALVANIZED STEEL YELLOW
167ZN*****	GALVANIZED STEEL BLACK

Chipboard screws, self-tapping countersunk flat head



- UNI 3740 / 6A.
- Reinforced head for the transmission of high torques.
- The high depth of the thread increases the resistance of the fastener by approximately 30% compared to conventional screws.
- For measurements refer to the price list.
- Partial thread even in small sizes in the family 219 00 and 219 BR

Code	Material
21900*****	C15 galvanized steel white
219A2*****	Stainless steel A2
219BR*****	Bronzed steel C15
219TR*****	Yellow galvanized steel C15 (tropicalized)

***** sizes: see price list

Diameter mm	2,5	3	3,5	4	4,5	5	6
Head diameter	5	6	7	8	9	10	12
Imprint	PZ 1	PZ 1	PZ 2	PZ 2	PZ 2	PZ 2	PZ 3

Chipboard screws, self-tapping cylinder head



- Din 7505-b
- Hardened steel C1022
- Surface hardness 470-700 hv
- Core hardness 300-420 hv
- The high depth of the thread increases the resistance of the fastener by approximately 30% compared to conventional screws.
- For measurements refer to the price list.

Code	Material
22600*****	Galvanized steel tempered C1022 White
226TR*****	Hardened steel C1022 Tropicalised
226BR*****	Hardened steel C1022 Bronzed
226ZN*****	Galvanized steel tempered C1022 Black

Diameter mm	3	3,5	4	4,5	5	6
Head diameter mm	6	7	8	9	10	11
Head height mm	2,5	2,5	3	3	4	4
imprint	PZ 1	PZ 2	PZ 2	PZ 2	PZ 2	PZ 3

Chipboard screws self-tapping Torx head half round

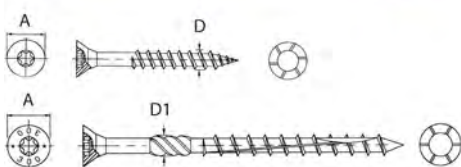
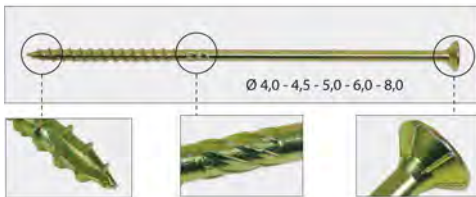


- Half round head screw with collar under head.
- Available galvanized yellow or black.
- Mainly used in the fixing of wooden strips, hinges, balconies, balconies, and supports.
- Field of use; wooden doors and windows, carpentry.
- Total thread and Torx head footprint.

Code	Desc. D x L	Imprint Torx	Type
219TN00100	5,5x20	T 30	galvanized black
219TN00110	5,5x25	T 30	galvanized black
219TN00120	5,5x30	T 30	galvanized black
219TN00130	5,5x35	T 30	galvanized black
219TN00140	5,5x40	T 30	galvanized black
219TN00150	5,5x45	T 30	galvanized black
219TN00160	6,0x25	T 30	galvanized black
219TN00170	6,0x30	T 30	galvanized black
219TN00180	6,0x35	T 30	galvanized black
219TN00190	6,0x40	T 30	galvanized black
219TN00200	6,0x45	T 30	galvanized black
219TN00210	6,0x50	T 30	galvanized black
219TG00100	5,5x20	T 30	galvanized yellow
219TG00110	5,5x25	T 30	galvanized yellow
219TG00120	5,5x30	T 30	galvanized yellow
219TG00130	5,5x35	T 30	galvanized yellow
219TG00140	5,5x40	T 30	galvanized yellow
219TG00150	5,5x45	T 30	galvanized yellow
219TG00160	6,0x25	T 30	galvanized yellow
219TG00170	6,0x30	T 30	galvanized yellow
219TG00180	6,0x35	T 30	galvanized yellow
219TG00190	6,0x40	T 30	galvanized yellow
219TG00200	6,0x45	T 30	galvanized yellow
219TG00210	6,0x50	T 30	galvanized yellow

Self-tapping screws for chipboard TSP Torx

2



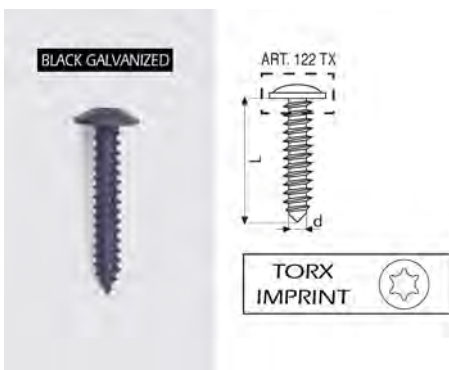
- Self-tapping screws for wood countersunk head with underhead autosvasante, and Torx for better transmission of torque.
- Piercing tip milled from a diameter 4.0 mm, the chip breaker at the end of the thread for the removal of residues of drilling and decreasing the effort of the tool.
- Suitable for application on all types of wood, even hard, for wood structural works, construction of structures and roofs, gazebos, furniture, setting up caravans and caravans, and assembly of wooden buildings in general.
- Construction carbon steel tempered.
- Tip angle optimum for better penetration in the materials. Fillet with pronounced angle for to save time and energy tool.
- Self-lubricating coating to avoid any risk of seizing. Yellow zinc.

TECHNICAL FEATURES:

- Hardened steel C1022
- Surface hardness HV450-750
- Core hardness HV280-450

CODE	DESCRIPTION DxL mm.	Thread length mm	Diam. head A mm.	D1 mm.	Torx imprint
219 TX 03000	3,0X12	Totale	5,7	/	T10
219 TX 03010	3,0X16	Totale	5,7	/	T10
219 TX 03020	3,0X20	Totale	5,7	/	T10
219 TX 03030	3,0X25	Totale	5,7	/	T10
219 TX 03040	3,0X30	18	5,7	/	T10
219 TX 03050	3,0X35	21	5,7	/	T10
219 TX 03060	3,0X40	25	5,7	/	T10
219 TX 03070	3,5X16	Totale	6,6	/	T15
219 TX 03080	3,5X20	Totale	6,6	/	T15
219 TX 03090	3,5X25	Totale	6,6	/	T15
219 TX 03100	3,5X30	18	6,6	/	T15
219 TX 03110	3,5X35	21	6,6	/	T15
219 TX 03120	3,5X40	25	6,6	/	T15
219 TX 03130	3,5X45	28	6,6	/	T15
219 TX 03140	3,5X50	30	6,6	/	T15
219 TX 03146	4,0X16	11	7,4	3,8	T20
219 TX 03148	4,0X20	15	7,4	3,8	T20
219 TX 03148	4,0X25	25	7,4	3,8	T20
219 TX 03150	4,0X30	18	7,8	3,7	T20
219 TX 03160	4,0X35	20	7,8	3,7	T20
219 TX 03170	4,0X40	24	7,8	3,7	T20
219 TX 03180	4,0X45	27	7,8	3,7	T20
219 TX 03190	4,0X50	30	7,8	3,7	T20
219 TX 03200	4,0X60	35	7,8	3,7	T20
219 TX 03210	4,0X70	42	7,8	3,7	T20
219 TX 03220	4,5X40	24	8,8	3,8	T25
219 TX 03230	4,5X45	27	8,8	3,8	T25
219 TX 03240	4,5X50	30	8,8	3,8	T25
219 TX 03250	4,5X60	36	8,8	3,8	T25
219 TX 03260	4,5X70	42	8,8	3,8	T25
219 TX 03270	4,5X80	50	8,8	3,8	T25
219 TX 03280	5,0X40	24	9,8	4,2	T25
219 TX 03290	5,0X45	27	9,8	4,2	T25
219 TX 03300	5,0X50	30	9,8	4,2	T25
219 TX 03310	5,0X60	35	9,8	4,2	T25
219 TX 03320	5,0X70	42	9,8	4,2	T25
219 TX 03330	5,0X80	50	9,8	4,2	T25
219 TX 03340	5,0X90	50	9,8	4,2	T25
219 TX 03350	5,0X100	50	9,8	4,2	T25
219 TX 03360	5,0X120	70	9,8	4,2	T25
219 TX 03370	6,0X70	42	11,8	5,2	T30
219 TX 03380	6,0X80	50	11,8	5,2	T30
219 TX 03390	6,0X100	50	11,8	5,2	T30
219 TX 03400	6,0X120	70	11,8	5,2	T30
219 TX 03410	6,0X140	70	11,8	5,2	T30
219 TX 03420	6,0X160	70	11,8	5,2	T30
219 TX 03430	6,0X180	70	11,8	5,2	T30
219 TX 03440	6,0X200	70	11,8	5,2	T30
219 TX 03450	6,0X220	70	11,8	5,2	T30
219 TX 03460	6,0X240	70	11,8	5,2	T30
219 TX 03470	6,0X260	70	11,8	5,2	T30
219 TX 03480	6,0X280	70	11,8	5,2	T30
219 TX 03490	6,0X300	70	11,8	5,2	T30
219 TX 03500	8,0X80	50	14,8	7,2	T40
219 TX 03510	8,0X100	50	14,8	7,2	T40
219 TX 03520	8,0X120	80	14,8	7,2	T40
219 TX 03530	8,0X140	80	14,8	7,2	T40
219 TX 03540	8,0X160	80	14,8	7,2	T40
219 TX 03550	8,0X180	80	14,8	7,2	T40
219 TX 03560	8,0X200	80	14,8	7,2	T40
219 TX 03570	8,0X220	80	14,8	7,2	T40
219 TX 03580	8,0X240	80	14,8	7,2	T40
219 TX 03590	8,0X260	80	14,8	7,2	T40
219 TX 03600	8,0X280	80	14,8	7,2	T40
219 TX 03610	8,0X300	80	14,8	7,2	T40
219 TX 03620	8,0X320	80	14,8	7,2	T40
219 TX 03630	8,0X340	80	14,8	7,2	T40
219 TX 03640	8,0X360	80	14,8	7,2	T40
219 TX 03650	8,0X380	80	14,8	7,2	T40
219 TX 03660	8,0X400	80	14,8	7,2	T40
219 TX 03670	10X120	80	18	8,2	T40
219 TX 03680	10X140	80	18	8,2	T40
219 TX 03690	10X160	80	18	8,2	T40
219 TX 03700	10X180	80	18	8,2	T40
219 TX 03710	10X200	80	18	8,2	T40
219 TX 03720	10X220	80	18	8,2	T40
219 TX 03730	10X240	80	18	8,2	T40
219 TX 03740	10X260	80	18	8,2	T40
219 TX 03750	10X280	80	18	8,2	T40
219 TX 03760	10X300	80	18	8,2	T40
219 TX 03770	10X320	80	18	8,2	T40
219 TX 03780	10X340	80	18	8,2	T40
219 TX 03790	10X360	80	18	8,2	T40
219 TX 03800	10X380	80	18	8,2	T40
219 TX 03810	10X400	80	18	8,2	T40

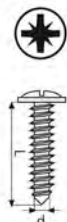
Tapping screws Torx galvanized black



Code	Desc. dxL	Imprint Torx	Type
122TX00040	3,5x16	T 10	DOME HEAD WITH FLANGE
122TX00080	3,5x19	T 10	DOME HEAD WITH FLANGE
122TX00120	3,9x16	T 15	DOME HEAD WITH FLANGE
122TX00160	3,9x19	T 15	DOME HEAD WITH FLANGE
122TX00200	4,2x16	T 20	DOME HEAD WITH FLANGE
122TX00240	4,2x19	T 20	DOME HEAD WITH FLANGE
122TX00280	4,2x25	T 20	DOME HEAD WITH FLANGE
122TX00320	4,8x16	T 20	DOME HEAD WITH FLANGE
122TX00360	4,8x22	T 20	DOME HEAD WITH FLANGE

- Art. 122 TX: self-tapping screw, pan head with flange Torx, galvanized black.

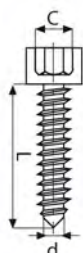
Tapping screws head mushroom more flange galvanized



Code	Desc. dxL	Phillips imprint	Type
198ZG00200	3,5x12	PZ 1	GALVANIZED STEEL YELLOW
198ZG00300	3,5x16	PZ 1	GALVANIZED STEEL YELLOW
198ZG00400	4x12	PZ 2	GALVANIZED STEEL YELLOW
198ZG00500	4x14	PZ 2	GALVANIZED STEEL YELLOW
198ZN00540	5x25	PZ 2	GALVANIZED STEEL BLACK

- UNI 9708.
- Double thread for plastic materials.

Tapping screws hexagon socket head cap



Code	Desc. dxL	Wrench C
1780001400	4,8x13	5
1780001500	4,8x16	5
1780001600	4,8x19	5
1780001700	4,8x22	5
1780001800	4,8x25	5
1780001900	4,8x32	5
1780002000	4,8x38	5
1780002100	4,8x45	5
1780002200	4,8x50	5
1780002250	4,8x60	5
1780002300	5,5x25	5
1780002350	5,5x32	5
1780002360	5,5x38	5
1780002370	5,5x45	5
1780002380	5,5x50	5
1780002400	6,3x32	5
1780002500	6,3x38	5
1780002700	6,3x50	5

- UNI 6947.
- Galvanized white.

Tapping screws for metal mushroom head with flange galvanized black

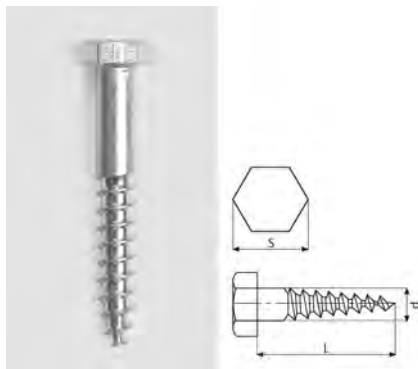


Code	Desc. dxL	Phillips imprint
1730000100	3,5x13	PH 2
1730000200	3,5x16	PH 2
1730000300	3,5x19	PH 2
1730000400	3,5x22	PH 2
1730000600	3,9x13	PH 2
1730000700	3,9x16	PH 2
1730000800	3,9x19	PH 2
1730000900	3,9x22	PH 2
1730001000	3,9x25	PH 2
1730001100	4,2x13	PH 2
1730001200	4,2x16	PH 2
1730001300	4,2x19	PH 2
1730001400	4,2x22	PH 2
1730001500	4,2x25	PH 2
1730001800	4,8x19	PH 2
1730002000	4,8x25	PH 2

- Mushroom head with flange Phillips.

2

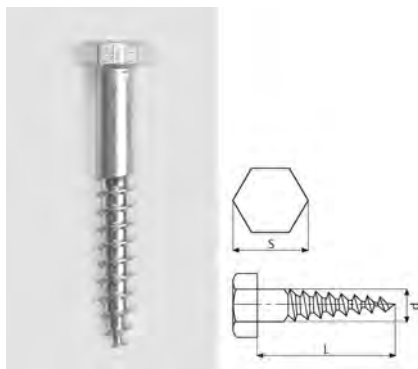
Coach screws stainless A2



Code	Desc. dxL
197A200030	6x30
197A200040	6x50
197A200050	6x60
197A200055	6x70
197A200085	8x50
197A200086	8x60
197A200088	8x80
197A200090	8x90
197A200096	10x50
197A200098	10x70
197A200100	10x80
197A200200	10x120

- AISI 304
- UNI 704 - DIN 571

Coach screws galvanized



Code	Desc. dxL	Mis. Key S
1970000100	6x30	10
1970000150	6x35	10
1970000200	6x40	10
1970000250	6x45	10
1970000300	6x50	10
1970000350	6x60	10
1970000400	6x70	10
1970000450	6x80	10
1970000670	6x170	10
1970000700	8x40	13
1970000750	8x45	13
1970000800	8x50	13
1970000850	8x60	13
1970000900	8x70	13
1970000950	8x80	13
1970001000	8x130	13
1970001200	10x50	17
1970001250	10x60	17
1970001300	10x70	17
1970001350	10x80	17
1970001400	10x90	17
1970001450	10x100	17
1970001500	10x140	17
1970001600	12x50	19
1970001610	12x60	19
1970001620	12x70	19
1970001630	12x80	19
1970001640	12x90	19
1970001650	12x100	19
1970001660	12x120	19
1970001670	12x140	19
1970001730	14x100	22
1970001740	14x120	22
1970001750	14x140	22

- Strength class 4.8.
- UNI 704 - DIN 571

Assorted screws stainless A2 TC +



- Contents: 18 sizes of screws TC + steel DIN 7981-A2 by 2,9x9,5 to 2,9x25, 3,5x13 from a 3,5x22, 3,9x16 from a 3,9x22, 4,2x16 from a 4,2x22 + 4,8x25 + 5,5x32 + 6.3 x32.
- Total 837 pieces.
- Supplied in a plastic carrying case n / s cod. 398 00 01800 201.

2

Code	Desc.
1570200100	18

Content kit

CODE	DESCRIPTION	PCS
157 00 01100	4.2X19	50
157 00 01200	4.2X22	25
157 00 01705	4.8X25	25
157 00 01760	5.5X32	25
157 00 02000	6.3X32	12
157 00 00050	2.9X9.5	100
157 00 00070	2.9X13	50
157 00 00100	2.9X16	50
157 00 00140	2.9X19	50
157 00 00200	2.9X25	50
157 00 00400	3.5X13	50
157 00 00500	3.5X16	50
157 00 00600	3.5X19	50
157 00 00620	3.5X22	50
157 00 00700	3.9X16	50
157 00 00800	3.9X19	50
157 00 00900	3.9X22	50
157 00 01000	4.2X16	50

Assorted screws TC + galvanized



- Contents: 18 sizes of screws TC + galvanized DIN 7981 from 2,2x6,5 to 2,2x13, 2,9x16 from a 2,9x25, 3,5x13 from a 3,5x22, 3,9x13 from a 3,9x22, 4 , 2x6,5 to 4,2 x22, 4,8x13 by 4, 8x22 + 5,5x19 + 6,3x16.
- Total 1025 pieces.
- Supplied in a plastic carrying case n / s cod. 398 00 01800 201.

Code	Desc.
1580100200	18

Content kit

CODE	DESCRIPTION	PCS
158 00 00200	2.2X6.5	100
158 00 00400	2.2X13	100
158 00 00900	2.9X16	100
158 00 01200	2.9X25	100
158 00 01800	3.5X19	50
158 00 01600	3.5X13	50
158 00 01900	3.5X22	50
158 00 02600	3.9X16	50
158 00 02800	3.9X22	50
158 00 03200	4.2X6.5	50
158 00 03400	4.2X13	50
158 00 03500	4.2X16	50
158 00 04300	4.8X13	50
158 00 04600	4.8X22	20
158 00 05400	5.5X19	20
158 00 06200	6.3X16	25
158 00 02500	3.9X13	50
158 00 03700	4.2X22	50

2

Assorted screws TPS + galvanized



- Contents: 12 screw sizes TPS + galvanized DIN 7982 from a 2,9x22 2,9x16, 3,5x13 from a 3,5x25, 3,9x16 from a 3,9x19, 4,2x13 from a 4,2x25 + 4,8x19.
- Total 650 pieces.
- Supplied in a plastic carrying case n / s cod. 398 00 01700 200.

Code	Desc.
1640100200	12

Contenuto kit

CODICE	DESCRIZIONE	Q.tà
164 00 00100	2.9X16 VIT.AUT.TPS+ZINC.7982	100
164 00 00150	2.9X19 VIT.AUT.TPS+ZINC.7982	100
164 00 00200	2.9X22 VIT.AUT.TPS+ZINC.7982	50
164 00 00300	3.5X13 VIT.AUT.TPS+ZINC.7982	50
164 00 00510	3.5X25 VIT.AUT.TPS+ZINC.7982	50
164 00 00600	3.9X19 VIT.AUT.TPS+ZINC.7982	50
164 00 00700	4.2X13 VIT.AUT.TPS+ZINC.7982	50
159 00 03700	4.8X13 VIT.AUT.TGS+ZINC.7983	50
159 00 03900	4.8X19 VIT.AUT.TGS+ZINC.7983	25
159 00 05000	5.5X25 VIT.AUT.TGS+ZINC.7983	25
159 00 05600	6.3X22 VIT.AUT.TGS+ZINC.7983	50
159 00 05050	5.5X32 VIT.AUT.TGS+ZINC.7983	50

Assorted screws TC + galvanized black



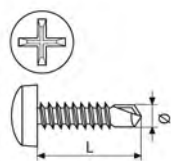
- Contents: 18 measures galvanized screws TC + black to DIN 7981 from 2,9x13 2,9x19, 3,5x13 from a 3,5x25, 3,9x16 from a 3,9x32, 4,2x13 from a 4,2x25, from 4,8x13 in 4,8x32.
- Total 740 pieces.
- Supplied in a plastic carrying case n / s cod. 398 00 01800 201.

Code	Desc.
1690100200	18

Contenuto kit

CODICE	DESCRIZIONE	Q.tà
169 00 00200	2.9X13 -VITE AUT.TC+ZINC.NERA	100
169 00 00300	2.9X16 -VITE AUT.TC+ZINC.NERA	100
169 00 00400	2.9X19 -VITE AUT.TC+ZINC.NERA	40
169 00 00500	3.5X13 -VITE AUT.TC+ZINC.NERA	40
169 00 00700	3.5X16 -VITE AUT.TC+ZINC.NERA	40
169 00 01000	3.5X25 -VITE AUT.TC+ZINC.NERA	30
169 00 01300	3.9X16 -VITE AUT.TC+ZINC.NERA	30
169 00 01400	3.9X19 -VITE AUT.TC+ZINC.NERA	30
169 00 01570	3.9X32 -VITE AUT.TC+ZINC.NERA	30
169 00 01600	4.2X13 -VITE AUT.TC+ZINC.NERA	30
169 00 01800	4.2X19 -VITE AUT.TC+ZINC.NERA	30
169 00 01900	4.2X22 -VITE AUT.TC+ZINC.NERA	30
169 00 02000	4.2X25 -VITE AUT.TC+ZINC.NERA	30
169 00 02030	4.8X16 -VITE AUT.TC+ZINC.NERA	30
169 00 02035	4.8X19 -VITE AUT.TC+ZINC.NERA	30
169 00 02040	4.8X22 -VITE AUT.TC+ZINC.NERA	30
169 00 02070	4.8X32 -VITE AUT.TC+ZINC.NERA	20
169 00 02025	4.8X13 -VITE AUT.TC+ZINC.NERA	30

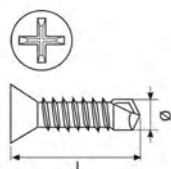
Drilling screws cylindrical head cross



- UNI 8118.
- PH imprint

Code	Description	Measures (mm)
23300*****	GALVANIZED WHITE	SEE PRICE LIST
2332N*****	GALVANIZED BLACK	SEE PRICE LIST

Self-tapping screws countersunk head cross



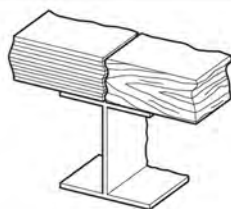
- UNI 8119
- PH imprint

Code	Description	Measures (mm)
23400*****	GALVANIZED WHITE	SEE PRICE LIST
2342N*****	GALVANIZED BLACK	SEE PRICE LIST

Screws for wooden platforms



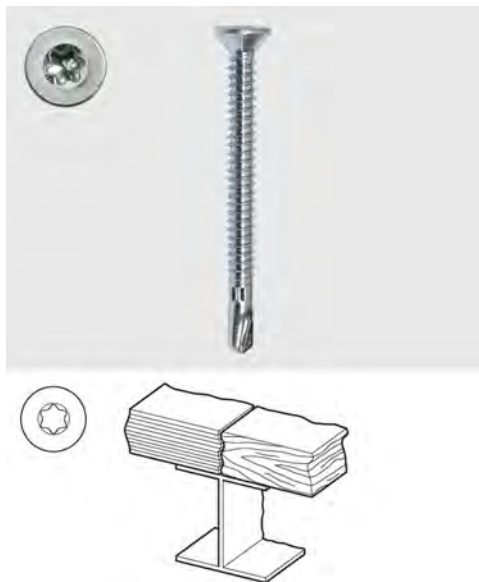
- Self-drilling screws countersunk head footprint PH
- With printed wings specific for fixing wood on sheet
- White galvanized finish
- **INDICATED FOR THE FIXING OF FLOORS IN MULTI-LAYER ON STEEL OR ALUMINUM FOR TRAILERS AND SEMI-TRAILERS**



Code	Desc.	Imprint <i>PH</i>	Tigh. thickness. mm
2340001920	4,2X38	2	6-22
2340002720	4,8X55	2	13-35
2340003200	5,5X38	3	6-22
2340003400	5,5X50	3	13-30
2340003420	5,5X60	3	13-40
2340004200	6,3X70	3	13-50

2

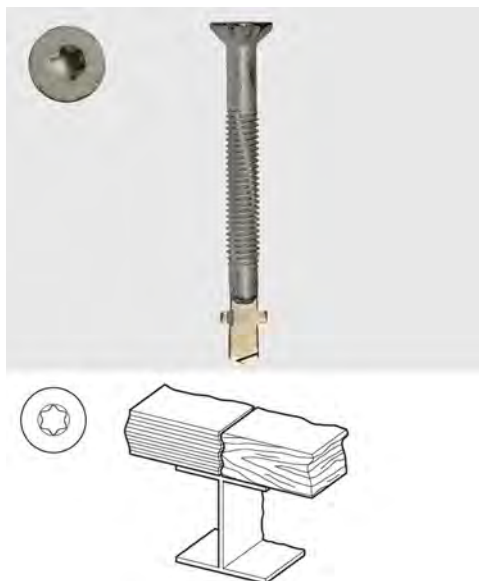
Screws for wooden platforms



- Torx countersunk self-drilling screws
- With printed wings specific for fixing wood on sheet
- White galvanized finish
- **INDICATED FOR THE FIXING OF FLOORS IN MULTI-LAYER ON STEEL OR ALUMINUM FOR TRAILERS AND SEMI-TRAILERS**

Code	Desc.	Imprint <i>Torx</i>	Tigh. thickness. mm
2340004205	6,3x50	T30	13-30
2340004206	6,3x60	T30	13-40
2340004210	6,3x70	T30	13-50

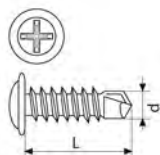
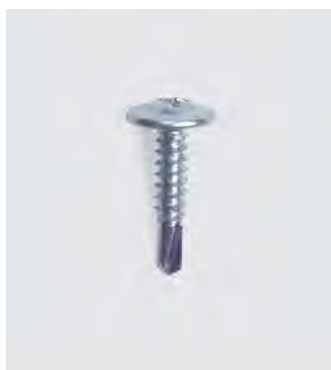
Screws for wooden platforms



- Self-drilling screws and self-tapping screws with countersunk head - Torx imprint
- With flap indicated for the fixing of wood on sheet metal
- Galvanized-passivated white finish
- **INDICATED FOR THE FIXING OF FLOORS IN MULTI-LAYER ON STEEL OR ALUMINUM FOR TRAILERS AND SEMI-TRAILERS**

Code	Desc.	Imprint <i>PH</i>	Tigh. thickness. mm
2340004220	8x70	T40	35
2340004230	8x85	T40	50

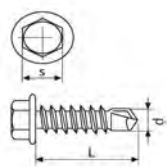
Drilling screws Round head flange screwdriver galvanized



- Ideal for fixing the holder to the bodywork.
- Flanged low head screws.

Code	Desc. dxL	Phillips imprint	Type
2390000150	4,2x13	PH 2	GALVANIZED WHITE
2390000160	4,2x16	PH 2	GALVANIZED WHITE
2390000170	4,2x19	PH 2	GALVANIZED WHITE
2390000190	4,2x25	PH 2	GALVANIZED WHITE
2390000200	4,2x32	PH 2	GALVANIZED WHITE
2390000210	4,2x38	PH 2	GALVANIZED WHITE
2390000230	4,8x16	PH 2	GALVANIZED WHITE
2390000240	4,8x19	PH 2	GALVANIZED WHITE
2390000260	4,8x25	PH 2	GALVANIZED WHITE
2390000280	4,8x38	PH 2	GALVANIZED WHITE
2390000310	4,8x50	PH 2	GALVANIZED WHITE
2390000340	4,8x80	PH 2	GALVANIZED WHITE

Drilling screws Hex Head



- Galvanized white.
- UNI 8117.

Code	Description
24000*****	see price list

Ø SCREW	3,5	3,9	4,2	4,8	5,5	6,3
KEY mm	5,5	5,5	7	8	8	10

Drilling screws cylindrical head Torx Plus



- Galvanized steel screws white.
- Ideal for all kinds of hardware with maximum grip.
- Torx imprint.
- To be used with our 443 00-bit 46753 (t15) - 443 00 46 755 (t20) - 443 00 46 757 (t25).

Code	Ø screw mm	Length mm	Imprint Torx
233TX02000	3,5	13	T15
233TX02010	3,5	16	T15
233TX02020	3,5	19	T15
233TX02030	3,5	22	T15
233TX02040	3,5	25	T15
233TX02050	3,9	13	T15
233TX02000	3,9	16	T15
233TX02070	3,9	19	T15
233TX02080	3,9	22	T15
233TX02090	3,9	25	T15
233TX02100	3,9	32	T15
233TX02110	4,2	13	T20
233TX02120	4,2	16	T20
233TX02130	4,2	19	T20
233TX02140	4,2	22	T20
233TX02160	4,2	32	T20
233TX02170	4,2	38	T20
233TX02180	4,2	45	T20
233TX02190	4,2	50	T20
233TX02200	4,8	16	T25
233TX02210	4,8	19	T25
233TX02220	4,8	22	T25
233TX02230	4,8	25	T25
233TX02240	4,8	32	T25
233TX02250	4,8	38	T25
233TX02260	4,8	45	T25
233TX02270	4,8	50	T25
233TX02280	4,8	60	T25
233TX02290	5,5	25	T25
233TX02300	5,5	32	T25
233TX02310	5,5	38	T25
233TX02320	5,5	45	T25
233TX02330	5,5	50	T25
233TX02340	5,5	60	T25
233TX02350	5,5	70	T25
233TX02360	5,5	80	T25

Drilling screws countersunk flat head Torx Plus

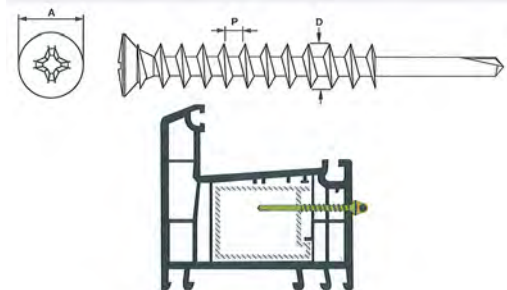
2



- Galvanized steel screws white.
- Ideal for fixing of every kind with maximum grip.
- Torx imprint.
- To be used with our 443 00-bit 46753 (t15) - 443 00 46 755 (t20) - 443 00 46 757 (t25).

Code	Ø screw mm	Length mm	Imprint Torx
234TX01000	3,5	13	T15
234TX01010	3,5	16	T15
234TX01020	3,5	19	T15
234TX01030	3,5	22	T15
234TX01040	3,5	25	T15
234TX01050	3,9	16	T15
234TX01060	3,9	19	T15
234TX01070	3,9	22	T15
234TX01080	3,9	25	T15
234TX01090	3,9	32	T15
234TX01100	4,2	16	T20
234TX01120	4,2	22	T20
234TX01130	4,2	25	T20
234TX01140	4,2	32	T20
234TX01160	4,8	16	T25
234TX01170	4,8	19	T25
234TX01180	4,8	22	T25
234TX01190	4,8	25	T25
234TX01200	4,8	32	T25
234TX01210	4,8	38	T25
234TX01220	4,8	45	T25
234TX01230	4,8	50	T25
234TX01240	5,5	25	T25
234TX01250	5,5	32	T25
234TX01270	5,5	45	T25
234TX01280	5,5	50	T25
234TX01290	5,5	60	T25
234TX01300	5,5	70	T25
234TX01310	5,5	80	T25

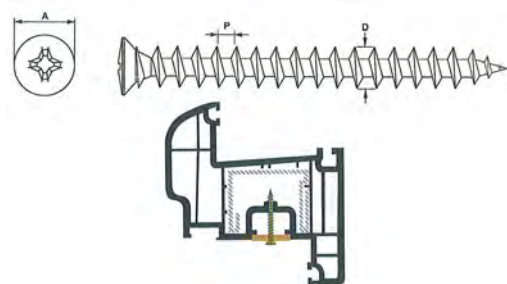
Drilling screws autosvasanti TPG for PVC - For fitting of hinges



- Special self-tapping screws with countersunk head and tip extra long, designed for direct application on PVC profiles with internal steel reinforcement. Permettono drilling the internal reinforcement before the thread engages the outer PVC.
- Used primarily for the application of support of the hinges.
- Built with hardened steel C1022, countersunk head slightly radial, PH footprint with increased depth for greater transmission torque, white zinc 8 microns thick, corrosion resistance up to 96 hours in salt spray.

Code	Desc.	P mm	Ø testa mm	Imprint PH
2340005050	4,3X36,5P	2,25	7	2
2340005060	4,3x42,5P	2,25	7	2
2340005070	4,3X47,5P	2,25	7	2

TSPG tapping screws for PVC - Mounting hardware and meetings

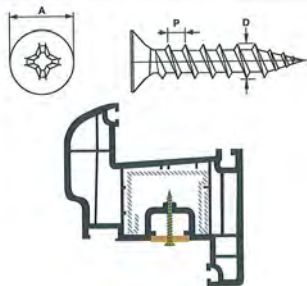


- Tapping screws thread total with special countersunk head slightly radial, specially designed for securing the perimeter hardware and meetings on the profiles of PVC frames.
- Are used directly in the PVC-U, in the sections not internally reinforced, the hollow cross PH is deeper than normal screws and special angle under head allows perfect alignment even if the screw is not perfectly perpendicular.
- Made of tempered steel, galvanized surface 8 microns, tip needle and thread off for easy penetration and a good seal. Corrosion resistance up to 96 hours in salt spray.

Code	Desc.	Useful length mm	Ø testa mm	P mm	Imprint PH
164PV00100	4,3X20	14	7	2,25	2
164PV00110	4,3X22	16	7	2,25	2
164PV00120	4,3X25	19	7	2,25	2
164PV00130	4,3X30	24	7	2,25	2
164PV00140	4,3X35	29	7	2,25	2
164PV00150	4,3X40	34	7	2,25	2
164PV00160	4,3X45	39	7	2,25	2

TSPG tapping screws for PVC - To restore hardware hardware and meetings

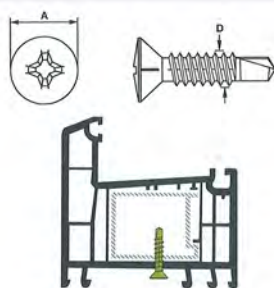
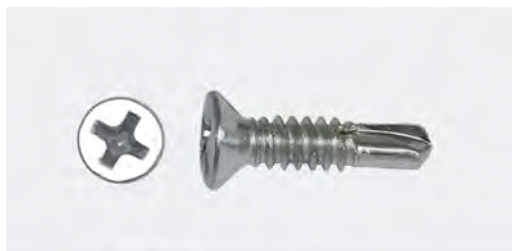
2



- Screws specific welt total with special countersunk head slightly radial, specially designed for the restoration of the hardware perimeter hardware and meetings on the profiles of PVC window frames, for use on existing holes.
- It is to replace all the screws of diameter 4.3-4.5, type our 164PV, when they are no longer grip on PVC, solving the problem of the torn hole in a simple and fast. The screw has the same characteristics but with a larger diameter that allows the fixing.
- Made of tempered steel, galvanized surface 8 microns, tip needle and thread off for easy penetration and a good seal. Corrosion resistance up to 96 hours in salt spray.
- The screw length of 38 mm has a dual start thread for sealing even greater draw.

Code	Desc.	Useful length mm	Ø testa mm	P mm	Imprint PH
164PV01000	4,8X25	20	7	2,35	2
164PV01010	4,8X38	33	7	3,60 (2P)	2

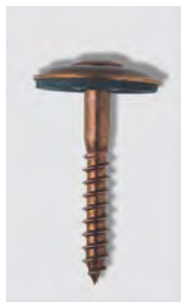
Drilling screws autosvasanti TSPG for PVC - For securing reinforcements



- Special self-tapping screws with countersunk head radiated under head, with autosvasante function and self-locking. Designed for direct application on PVC profiles with internal steel reinforcement.
- Mainly used for the application of hardware, reinforcements, hinges and meetings directly on the profile. The tip in carbon steel allows fast applications without the need for pre-drilling hole, the thread specification allows a perfect hold over time.
- Built with hardened steel C1022, countersunk head slightly radial, PH footprint with increased depth for greater transmission torque, white zinc 8 microns thick, corrosion resistance up to 96 hours in salt spray.

Code	Desc.	Ø testa mm	Imprint PH
2340005000	3,9X14P	7	2
2340005010	3,9X16P	7	2
2340005020	3,9X19P	7	2
2340005110	3,9X25P	7	2
2340005120	3,9X32P	7	2

Tapping screws A2 stainless steel coppery with sealing washer



- Tapping screws AUBURN ideal for the installation of copper gutters and flashings.
- Body in stainless steel A2.
- Large washer with vulcanized rubber seal that allows the seal to avoid the infiltration of water into the holders.
- * Washer with vulcanized seal \varnothing 20 mm.

Code	Desc. <i>Measures</i>	Pozdriv imprint
155CU00300	4,5x35	PZ 2
155CU00400	4,5x45	PZ 2

Drywall screws



- Special screws for plasterboard.
- Nail tip, double thread.
- Flat countersunk head, phillips cross mark.
- Black phosphates.

Code	Desc. <i>Measures</i>	Phillips imprint
2180000025	3,5x25	PH 1
2180000035	3,5x35	PH 1
2180000045	3,5x45	PH 1
2180000075	4,2x80	PH 2

Flat head self tapping screws countersunk hole for insertion cap imprint PZ



- Material galvanized steel white.
- Bits PZ2 use.
- Hole in the head of the screw inserting plastic cap 219TP....
- Particular thread polyvalent for various applications.
- Use for chipboard, with nylon plugs and aluminum.

Code	Desc.	Imprint <i>PZ</i>
219ZB00050	4,5X30	2
219ZB00100	4,5X40	2
219ZB00150	4,5X50	2
219ZB00200	4,5X60	2
219ZB00250	4,5X70	2
219ZB00300	5X40	2
219ZB00350	5X50	2
219ZB00400	5X60	2
219ZB00450	5X70	2
219ZB00500	5X90	2

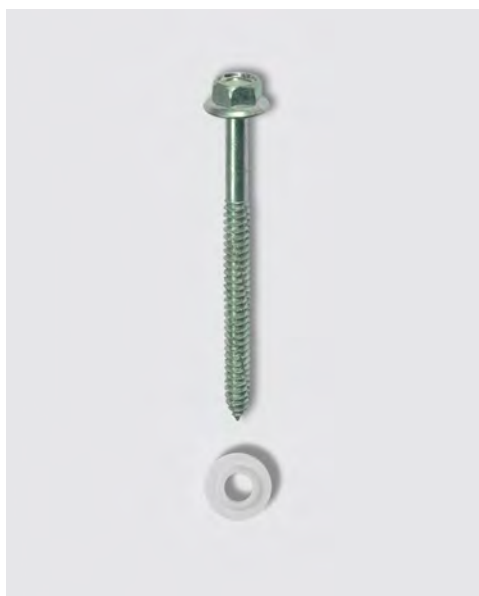
Colored plastic caps

- Colored plastic material.
- plugs screws 219ZB ...
- Possibility of 5 different colors.
- Maximum grip in the screw head as the hole.
- Universal for measuring 4.5 and 5 mm.



Code	Description
219TP00050	WHITE
219TP00100	BLACK
219TP00150	GREY
219TP00200	LIGHT BROWN
219TP00250	DARK BROWN

Self-tapping screws for building



- K10 hexagonal collar cable \varnothing 14.5 mm for optional housing sealing washers n / s art. 242 00 00150 / RON.
- BS thread tapping and self-tapping for the use of thick layers without prior tapping.
- Points to 45 ° for assembly with pre-hole.

Code	Desc. <i>Measures</i>	Wrench mm
2380000100	6,3x20	10
2380000200	6,3x35	10
2380000300	6,3x50	10
2380000400	6,3x60	10
2380000500	6,3x80	10
2380000600	6,3x100	10
2380000700	6,3x120	10
2420000150	RON*	-

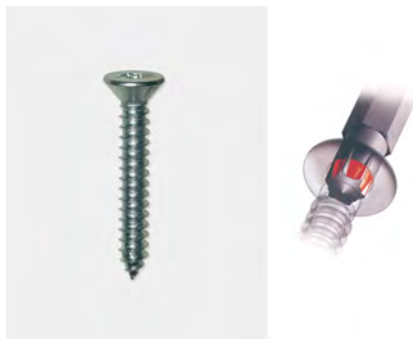
Screws shallow head drilling and tapping



- Material galvanized steel and white steel A2.
- Ideal for attaching accessories in aluminum frames.
- Also ideal for plastic gutters, since the advantage of the ultra head lowered.
- Indicated in all applications where the head needs to have the minimum protrusion.
- Footprint Philips PH2.

Code	Desc.	Insert	Finishing	Type
164TB00100	4.2X13	PH2	WHITE	TAPPING GALVANIZED
164TB00300	4.2X22	PH2	WHITE	TAPPING GALVANIZED
164TB00500	4.2X32	PH2	WHITE	TAPPING GALVANIZED
234TB00200	4.2X14	PH2	WHITE	SELF DRILLING GALVANIZED
234TB00400	4.2X23	PH2	WHITE	SELF DRILLING GALVANIZED
164A200100	4.2X13	PH2	WHITE	TAPPING. A2
164A200300	4.2X22	PH2	WHITE	TAPPING. A2
164A200500	4.2X32	PH2	WHITE	TAPPING. A2

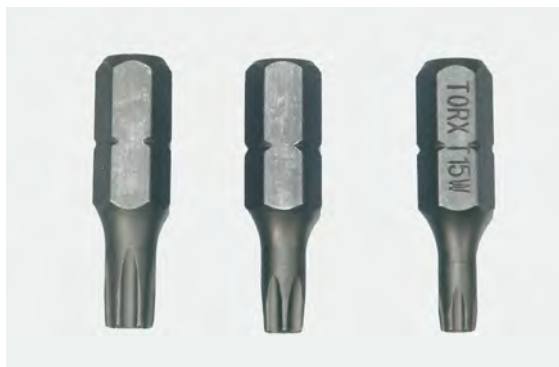
Tapping screws countersunk flat head Torx conical



Code	Leng. mm	Spess. testa mm	Ø testa	Ø screw mm	Cod. bits
164TX00050	9,5	3,1	7	3,5	4430050990
164TX00100	13	3,1	7	3,5	4430050990
164TX00150	16	3,1	7	3,5	4430050990
164TX00200	19	3,1	7	3,5	4430050990
164TX00250	13	3,6	8	4,2	4430051000
164TX00300	16	3,6	8	4,2	4430051000
164TX00350	19	3,6	8	4,2	4430051000
164TX00400	25	3,6	8	4,2	4430051000
164TX00450	32	3,6	8	4,2	4430051000
164TX00500	19	3,7	9,5	4,8	4430051000
164TX00550	25	3,7	9,5	4,8	4430051000
164TX00600	32	3,7	9,5	4,8	4430051000
164TX00650	38	3,7	9,5	4,8	4430051000

- Material galvanized steel white.
- Ideal for all kinds of hardware with maximum grip.
- Imprint Torx conical.
- Screws to be used exclusively with the bits indicated.

Appropriate bits to hex screw 1/4 (6.35) Torx More



- Imprint Torx male.

Code	Desc.	Length mm
4430046753	749 P-TX15	25
4430046755	749 P-TX20	25
4430046757	749 P-TX25	25
4430058090	749 P-TX30	25
4430000220	P-TX15L	50
4430000230	P-TX20L	50
4430000240	P-TX25L	50

Drilling screws for building



* RONDELLA DI TENUTA DA ORDINARE A PARTE

- K10 hexagonal collar cable ø 14.5 mm for housing washer.
- Bs tapping and self-tapping thread for use on thick layers without prior tapping.
- Drill point right to drill thicknesses up to 5 mm, and screw thread consecutively.

Code	Desc. Measures	Wrench mm
2420000020	6,3x20	10
2420000025	6,3x25	10
2420000035	6,3x35	10
2420000040	6,3x40	10
2420000050	6,3x50	10
2420000070	6,3x70	10
2420000080	6,3x80	10
2420000100	6,3x100	10
2420000120	6,3x120	10
2420000150	RON*	

2

Drilling screws with mock washer

- Self-tapping screws with cylindrical head extra low and pretend washer.
- Ideal for fixing of thin sheet metal and of plastic material on metal constructions.
- The pretend washer distributes the effort on a wider surface avoiding any surface damage fixed.
- Head Cross recessed Phillips.



Code	Desc. <i>Measures</i>	D <i>mm</i>	K <i>mm</i>	Phillips imprint
1140000020	4,2x13	11	1,9x2,5	PH 2
1140000030	4,2x16	11	1,9x2,5	PH 2
1140000040	4,2x19	11	1,9x2,5	PH 2
1140000070	4,8x32	12,5	1,9x2,5	PH 2
1140000080	4,8x32	12,5	1,9x2,5	PH 2
1140000100	4,8x40	12,5	1,9x2,5	PH 2
1140000200	4,8x45	12,5	1,9x2,5	PH 2
1140000300	4,8x50	12,5	12,5	PH 2
1140000400	4,8x60	12,5	1,9x2,5	PH 2
1140000500	4,8x70	12,5	1,9x2,5	PH 3
1140000600	4,8x80	12,5	1,9x2,5	PH 2

Drilling screws Round head flange, conical Torx



- Material galvanized steel white.
- Ideal for mounting on overhead sheets, covers, etc.
- Imprint Torx conical.
- Screws to be used exclusively with the bits indicated.

Code	Leng. <i>mm</i>	Spess. testa mm	Ø testa	Ø screw <i>mm</i>	Cod. <i>bits</i>
239TX00050	13	2,6	11	4,2	4430051000
239TX00100	16	2,6	11	4,2	4430051000
239TX00150	19	2,6	11	4,2	4430051000
239TX00200	25	2,6	11	4,2	4430051000

Drilling screws with hexagonal rubber washer, roofing



- Material galvanized steel white.
- Self drilling.
- Complete sealing washers with rubber and not.
- Ideal for roofing.
- Threaded part 60 mm for all sizes.

2

Code	Desc. dxL	Description	Wrench	FIL. XL.	Type
114CR00100	6,3x60	-	10	60x60	WITH WASHER
114CR00300	6,3x110	-	10	60x110	WITH WASHER
114ZB00200	-	6,3x80 TEK SCREW ZB	10	6.3X80	WITHOUT WASHER
114ZB00300	-	6,3x110 TEK SCREW ZB	10	6.3X110	WITHOUT WASHER
114ZB00400	-	6,3x120 TEK SCREW ZB	10	6.3X120	WITHOUT WASHER

Colored plastic caps for all screws Round head diameter 4.8 mm



- Colored plastic material.
- Caps for cylindrical head screws d. 4.8 mm.
- Available colors black and white.

Code	Description
219TP00300	TC-WHITE
219TP00350	TC-BLACK

Washers with rubber

- Steel and rubber.



Code	Description
245CG00100	6,3 - SEALED WASHERS