

2

Filmecc fillets

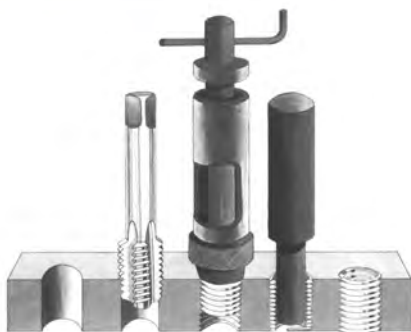


- Thread insert is intended to produce or regenerate threaded seats subjected to high stress static or dynamic even at elevated temperatures.
- Suitable for frequent screwing and in conditions of risk to corrosion, it has the appearance of a spring with a lozenge-shaped section.
- Material: Stainless steel.
- NB: the height indicated on the price list, indicating the height of the thread placed.
- Measures see price list.

How mounts

Mounting a FILMEC requires four steps:

1. The drilling of the required diameter, and 'preferable not to make chamfers at the hole.
2. Tapping through a special tap FILMEC.
3. Mass posing thread using a special tool.
4. The rupture of the shank of drive by means of a special punch or pliers.



Code	Desc.
42096*****	*****

Kit fillets Filmecc



- Assorted fillets Filmecc.
- Suitable for car and motorcycle workshops, body shops generally.
- Particularly effective in reproducing or regenerating threaded seats damaged or worn by time.
- Supplied in a practical plastic case our code 3980001800.
- Total: 90 pieces with briefcase.

Code	Description
4209604800	1-kit Filmecc fillets

Contenuto kit

CODE	DESCRIPTION	PCS
420 96 00100	5 x 0,8-H 7,5	5
420 96 00200	5x0,8-H 10	5
420 96 00400	6x1-H 9	5
420 96 00500	6x1-H 12	5
420 96 00600	7x1-H 10,5	5
420 96 00900	8x1,25-H 8	5
420 96 01000	8x1,25-H 12	5
420 96 01100	8x1,25-H 16	5
420 96 01200	8x1,25-H 20	5
420 96 01900	10x1,25-H 10	5
420 96 02000	10x1,25-H 15	5
420 96 02200	10x1,5-H 15	5
420 96 02300	10x1,5-H 20	5
420 96 02400	12x1,25-H 12	5
420 96 02700	12x1,5-H 12	5
420 96 02850	12x1,75-H 18	5
420 96 03000	14x1,25-H 14	5
420 96 03100	14x1,25-H 21	5

Males Filmec



- Male-specific locations of the threads FILMEC.

Code	Desc. Ø x pitch	Ø Foratura mm
4430032600	377 - 5x0,8	5,20
4430032610	377 - 6x1	6,30
4430032620	377 - 7x1	7,30
4430032630	377 - 8x1	8,30
4430032640	377 - 8x1,25	8,40
4430032660	377 - 10x1	10,25
4430032670	377 - 10x1,25	10,40
4430032680	377 - 10x1,5	10,50
4430032690	377 - 12x1,25 x cand.	12,35
4430032695	377 - 12x1,25	12,35
4430032700	377 - 12x1,5	12,50
4430032710	377 - 12x1,75	12,50
4430032720	377 - 14x1,25 x cand.	14,40
4430032725	377 - 14x1,25	14,40
4430032730	377 - 14x1,5	14,50
4430032740	377 - 14x2	14,50
4430032750	377 - 16x1,5	16,50
4430032752	377 - 16x2	16,50
4430032760	377 - 18x1,5	18,50

Tool for laying Filmec



- Tool for laying fillets FILMEC.
- The body of the installer FILMEC can be used across multiple steps or diameters using the spare parts for installers.
- In order to do this we must, however, comply with the N ° shown on the tool.
- Example: 443 00 32810 378-6x1 installer # 2 + 420 03 00300 8x1.25.
- In this way the same installer is usable on multiple diameters.
- * Specific to the threads of the spark plugs.
- ** There are no spare parts.

Code	Desc. Ø x pitch	Posatore
4430032800	378 - 5x0,8	1
4430032810	378 - 6x1	2
4430032820	378 - 7x1	2
4430032830	378 - 8x1	2
4430032840	378 - 8x1,25	2
4430032860	378 - 10x1	3
4430032870	378 - 10x1,25	3
4430032880	378 - 10x1,5	3
4430032895	378 - 12x1,25	3
4430032900	378 - 12x1,5	3
4430032910	378 - 12x1,75	3
4430032925	378 - 14x1,25	4
4430032930	378 - 14x1,5	4
4430032940	378 - 14x2	4
4430032890	378 - 12x1,25 *	3
4430032920	378 - 14x1,25 *	4
4430032950	378 - 16x1,5 **	-
4430032952	378 - 16x2 **	-
4430032960	378 - 18x1,5 **	-
4430032962	378 - 18x2,5 **	-

Spare parts for installers Filmecc

2



Code	Desc. Ø x pitch
4200300050	5 x 0,8
4200300100	6 x 1
4200300200	7 x 1
4200300250	8 x 1
4200300300	8 x 1,25
4200300400	10 x 1,25
4200300500	10 x 1,5
4200300600	12 x 1,25
4200300700	12 x 1,5
4200300800	12 x 1,75
4200300900	14 x 1,5
4200301000	16 x 1,5

- Auction more head parts for installers art. 443 00 desc. 378 ...

Complete kit Filmecc candles



- Full packaging of fillets and fitter for fillets of candles motorcycle.
- Avoids the replacement of the engine parts (cylinder head, crankcase, etc ..) from the vehicle.

Code	Desc.	Measure
4220000100	7540	14x1,25

CONTENUTO
N° 1 POSATORE FILMECC CANDELE 14x1,25
N° 1 MASCHIO FILMECC CANDELE 14x1,25
N° 10 FILETTI FILMECC 14x1,25 H 7,5
N° 10 FILETTI FILMECC 14x1,25 H 10,5
N° 10 FILETTI FILMECC 14x1,25 H 18

Complete kit Filmecc candles



- Full packaging of fillets and fitter for fillets of candles motorcycle.
- Avoids the replacement of the engine parts (cylinder head, crankcase, etc ..) from the vehicle.

Code	Desc.	Measure
4220000200	7541	12x1,25

CONTENUTO
N° 1 POSATORE FILMECC CANDELE 12x1,25
N° 1 MASCHIO FILMECC CANDELE 12x1,25
N° 10 FILETTI FILMECC 12x1,25 H 10,5
N° 10 FILETTI FILMECC 12x1,25 H 18

Repair Kit Filmec 4 diameters



- Complete kit for repairs with fillets Filmec essential for maintenance in factories, garages, workshops etc .. To restore any tapping done incorrectly, with low resistance, deteriorated etc ..

2

Code	Desc.	Diameters
4230000100	9130	6X1 - 8X1,25 10X1,25 - 12X1,5

CONTENUTO	CONTENUTO
N° 1 POSATORE FILMEC PER Ø 6 E Ø 8 N° 1 POSATORE FILMEC PER Ø 10 E Ø 12 N° 1 TRASCINATORE 6x1 N° 1 TRASCINATORE 8x1,25 N° 1 TRASCINATORE 10x1,25 N° 1 TRASCINATORE 12x1,5 N° 1 MASCHIO FILMEC 6x1 N° 1 MASCHIO FILMEC 8x1,25 N° 1 MASCHIO FILMEC 10x1,25 N° 1 MASCHIO FILMEC 12x1,5	N° 1 ATTREZZO ROTTURA CODOLO Ø 6 N° 1 ATTREZZO ROTTURA CODOLO Ø 8 N° 1 ATTREZZO ROTTURA CODOLO Ø 10 N° 1 ATTREZZO ROTTURA CODOLO Ø 12 N° 1 ATTREZZO RIMOZIONE FILETTI N° 10 FILETTI FILMEC 6x1 H 9 N° 10 FILETTI FILMEC 8x1,25 H 12 N° 10 FILETTI FILMEC 10x1,25 H 15 N° 10 FILETTI FILMEC 12x1,5 H 15

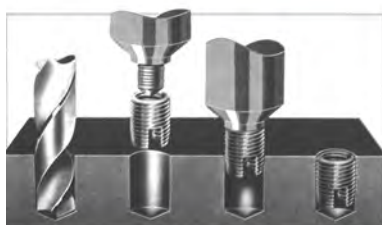
Repair Kit mono diameter Filmec



- Plastic box for repair with fillets FILMEC.
- Full installer, and male fillets.

Code	Desc. Ø x pitch	Content
4230000150	9131 - 5x0,8	1 INSTALLER 1 MALE 6 FILLETS H 7,5
4230000200	9131 - 6x1	1 INSTALLER 1 MALE 6 FILLETS H 9
4230000250	9131 - 8x1,25	1 INSTALLER 1 MALE 5 FILLETS H 12
4230000260	9131 - 9x1,25	1 INSTALLER 1 MALE 5 FILLETS H 13,5
4230000300	9131 - 10x1,5	1 INSTALLER 1 MALE 5 FILLETS H 15
4230000350	9131 - 10x1,25	1 INSTALLER 1 MALE 5 FILLETS H 15

Bushings self-tapping for light alloys



Misura interna	Misura esterna	Lunghezza mm	Profondità min. foro mm	Diametro min. foro mm	Diametro max foro mm
M 3X0,5	M 5X0,5	6	8	4,6	4,7
M 4X0,7	M 6,5X0,75	8	10	6,0	6,1
M 5X0,8	M 8X1,0	10	13	7,3	7,5
M 6X1,0	M 9X1,0	12	15	8,1	8,6
M 8X1,25	M 12X1,5	15	18	10,6	11,4
M 10X1,5	M 14X1,5	18	22	12,6	13,4
M 12X1,75	M 16X1,5	22	25	14,8	15,2
M 14X2,0	M 18X1,5	24	28	16,8	17,2

- Threaded Inserts applicable on light alloys, cast iron and synthetic materials allow the creation of these materials Tenri threads resistant and durable with perfect sealing of screws applied.
- The appropriate bevels make compasses can automaschiarsi media, with no need to thread them in advance before the installation.
- Similarly they can be used on these materials for the reconstruction of damaged threads.
- For use and 'you must provide the contractor the amount corresponding to the bushings.

Code	Desc.	Ø internal
4660000100	3X0,5-H6	M 3X0,5
4660000200	4X0,7-H8	M 4X0,7
4660000300	5X0,8-H10	M 5X0,8
4660000400	6X1,0-H12	M 6X1,0
4660000600	8X1,25-H15	M 8X1,25
4660000700	10X1,5-H18	M 10X1,5
4660000800	12X1,75-H22	M 12X1,75
4660000900	14X2,0-H24	M 14X2,0

Installers for tapping bushings



- Installers manual insertion and laying of self-tapping bushes in light alloys, cast iron and plastics.
- For the use of the bushings you must use the contractor of that amount.
- These layers are used through a simple mandamaschi to square drive.

Code	Desc.	For bushings
4670000100	3X0,5	466 00 00100-M 3X0,5
4670000200	4X0,7	466 00 00200-M 4X0,7
4670000300	5X0,8	466 00 00300-M 5X0,8
4670000400	6X1,0	466 00 00400-M 6X1,0
4670000500	8X1,25	466 00 00600-M 8X1,25
4670000600	10X1,5	466 00 00700-M 10X1,5
4670000700	12X1,75	466 00 00800-M 12X1,75
4670000800	14X2,0	466 00 00900-M 14X2,0